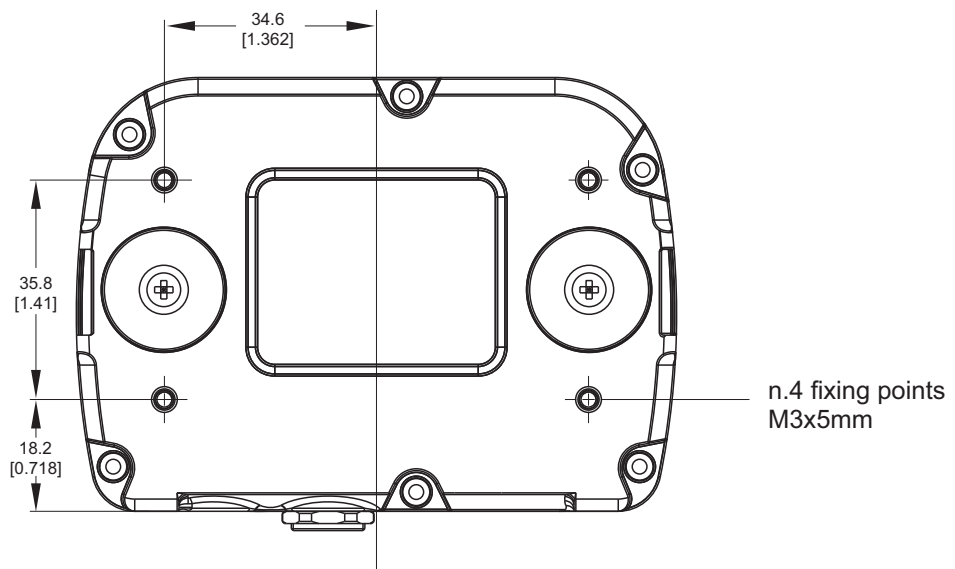
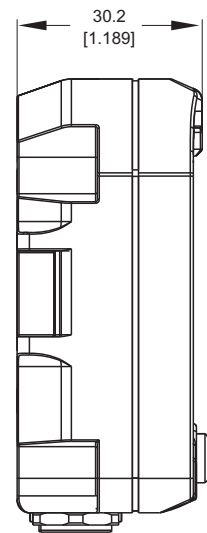
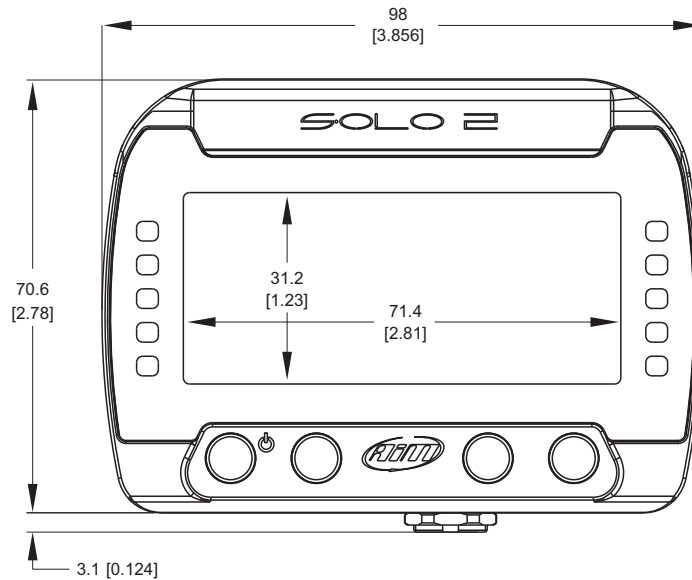




# AiM Solo 2/Solo 2 DL

GPS lap timer/Dash logger

## Solo 2

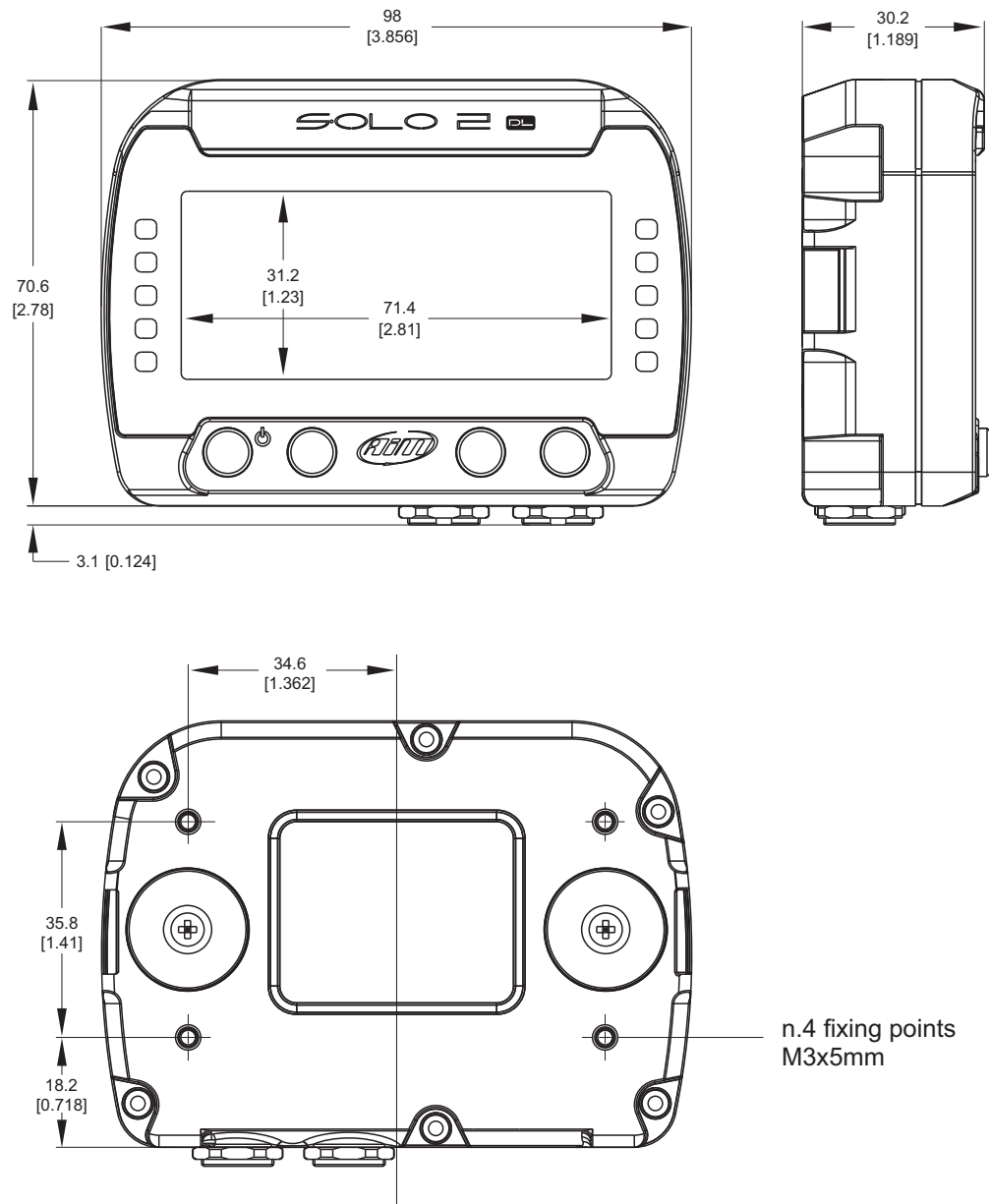




# AiM Solo 2/Solo 2 DL

GPS lap timer/Dash logger

## Solo 2 DL





# AiM Solo 2/Solo 2 DL

GPS lap timer/Dash logger

## Technical specifications

	<b>Solo 2</b>	<b>Solo 2 DL</b>
<b>Display</b>	Graphical	Graphical
<b>Display resolution</b>	238x99 pixels	238x99 pixels
<b>Display pages</b>	Up to 5 freely configurable	Up to 8 freely configurable
<b>Backlight</b>	7 configurable RGB colors	7 configurable RGB colors
<b>Shift lights/alarm LEDs</b>	10 configurable RGB LEDs	10 configurable RGB LEDs
<b>Integrated track database</b>	Yes	Yes
<b>Inertial platform</b>	Internal 3 axis $\pm 5G$ accelerometer + 3 axis gyro + 3 axis magnetometer	Internal 3 axis $\pm 5G$ accelerometer + 3 axis gyro + 3 axis magnetometer
<b>WiFi connection</b>	Yes	Yes
<b>GPS</b>	10 Hz	10 Hz
<b>ECU connection</b>	--	CAN, RS232 or K-Line to 1,000+ industry leading ECUs
<b>External power</b>	12 V	12 V
<b>Connectors</b>	1 socket (binder) 712, 5-pins	1 socket (binder) 712, 5-pins 1 socket (binder) 712, 8-pins
<b>Memory</b>	4 Gb	4 Gb
<b>Battery type</b>	Rechargeable lithium	Rechargeable lithium
<b>Pushbuttons</b>	Metallic	Metallic
<b>Dimensions</b>	98.0 x 73.7 x 30.2 mm	98.0 x 73.7 x 30.2 mm
<b>Weight</b>	240 g, battery included	240 g, battery included
<b>Waterproof</b>	IP67	IP67



# AiM Solo 2/Solo 2 DL

GPS lap timer/Dash logger

## Solo 2 part numbers

<b>X47SOLO2001A0</b>	Solo 2 with AUS adapter
<b>X47SOLO2001G0</b>	Solo 2 with UK adapter
<b>X47SOLO2001U0</b>	Solo 2 with USA adapter
<b>X47SOLO2001E0</b>	Solo 2 with EU adapter

## Solo 2 DL part numbers

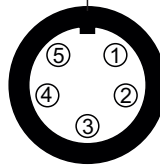
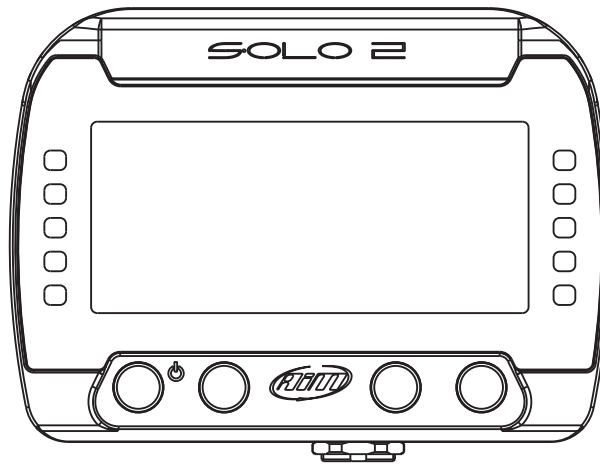
<b>X47SOLO2DL01A0</b>	Kit including Solo 2 DL with CAN/K-Line/Ext. power (terminated with OBDII connector) cable + battery charger with AUS adapter
<b>X47SOLO2DL01G0</b>	Kit including Solo 2 DL with CAN/K-Line/Ext. power (terminated with OBDII connector) cable + battery charger with UK adapter
<b>X47SOLO2DL01U0</b>	Kit including Solo 2 DL with CAN/K-Line/Ext. power (terminated with OBDII connector) cable + battery charger with USA adapter
<b>X47SOLO2DL01E0</b>	Kit including Solo 2 DL with CAN/K-Line/Ext. power (terminated with OBDII connector) cable + battery charger with EU adapter
<b>X47SOLO2DL02A0</b>	Kit including Solo 2 DL with RS232/CAN/Ext. power cable + battery charger with AUS adapter
<b>X47SOLO2DL02G0</b>	Kit including Solo 2 DL with RS232/CAN/Ext. power cable + battery charger with UK adapter
<b>X47SOLO2DL02U0</b>	Kit including Solo 2 DL with RS232/CAN/Ext. power cable + battery charger with USA adapter
<b>X47SOLO2DL02E0</b>	Kit including Solo 2 DL with RS232/CAN/Ext. power cable + battery charger with EU adapter
<b>X47SOLO2DL03A0</b>	Kit including Solo 2 DL with RPM/Ext. power cable + battery charger with AUS adapter
<b>X47SOLO2DL03G0</b>	Kit including Solo 2 DL with RPM/Ext. power cable + battery charger with UK adapter
<b>X47SOLO2DL03U0</b>	Kit including Solo 2 DL with RPM/Ext. power cable + battery charger with USA adapter
<b>X47SOLO2DL03E0</b>	Kit including Solo 2 DL with RPM/Ext. power cable + battery charger with EU adapter



# AiM Solo 2/Solo 2 DL

GPS lap timer/Dash logger

## Solo 2 pinout



5 pins Binder 712  
female connector  
external view

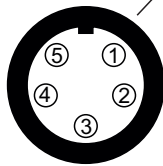
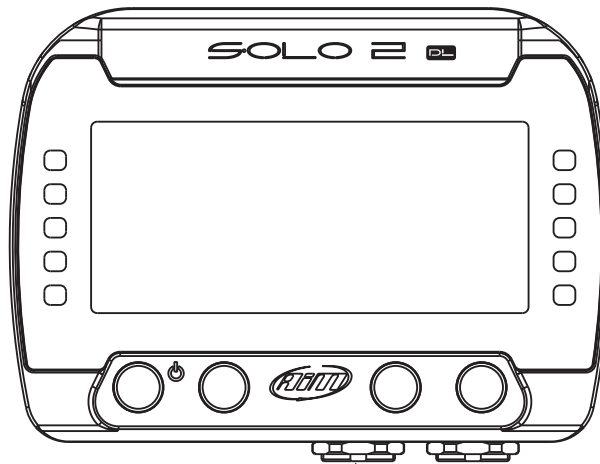
EXP connector	
1	nc
2	GND
3	nc
4	nc
5	+Vb ext



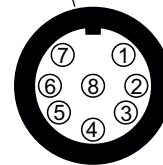
# AiM Solo 2/Solo 2 DL

GPS lap timer/Dash logger

## Solo 2 DL pinout



5 pins Binder 712 female connector external view



8 pins Binder 712 female connector external view

EXP connector	
1	CAN High
2	GND
3	+Vb out
4	CAN Low
5	+Vb ext

ECU connector	
1	CAN ECU+
2	CAN ECU-
3	+Vb ext
4	ECU RS232TX
5	ECU RS232RX
6	K Line
7	GND
8	RPM



# AiM Solo 2/Solo 2 DL

GPS laptimer/Dash logger

## Solo 2 product history

Rev	From serial number	Date	Changes
<b>Rev02</b>	<b>0002197</b>	Jun, 13th 2018	<ul style="list-style-type: none"><li>▪ <b>SOL-02E</b> new main board</li><li>▪ Integrated HW modification</li></ul>
<b>Rev01</b>	<b>0000902</b>	Mar, 19th 2018	<ul style="list-style-type: none"><li>▪ <b>SOL-02D</b> new main board</li><li>▪ Modified battery charger circuit</li><li>▪ Optimized battery consumption in off mode</li></ul>



# AiM Solo 2/Solo 2 DL

GPS laptimer/Dash logger

## Solo 2 DL product history

Rev	From serial number	Date	Changes
<b>Rev01</b>	<b>6501185</b>	Jun, 20th 2018	<ul style="list-style-type: none"><li>▪ <b>SOL-02E</b> new main board</li><li>▪ Modified battery charger circuit</li><li>▪ Optimized battery consumption in off mode</li></ul>