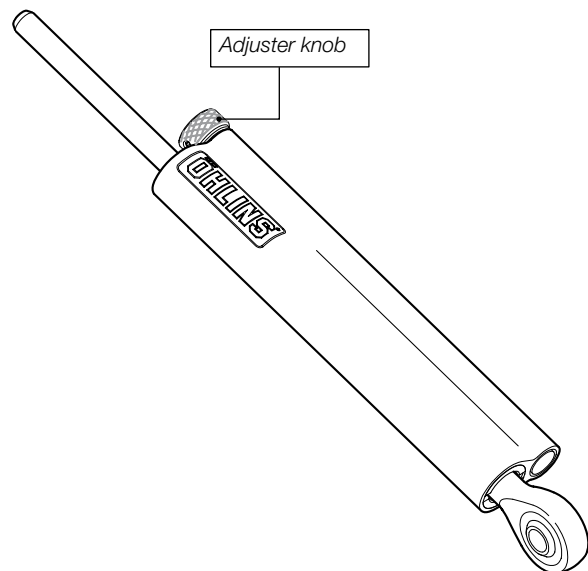


# Adjustments

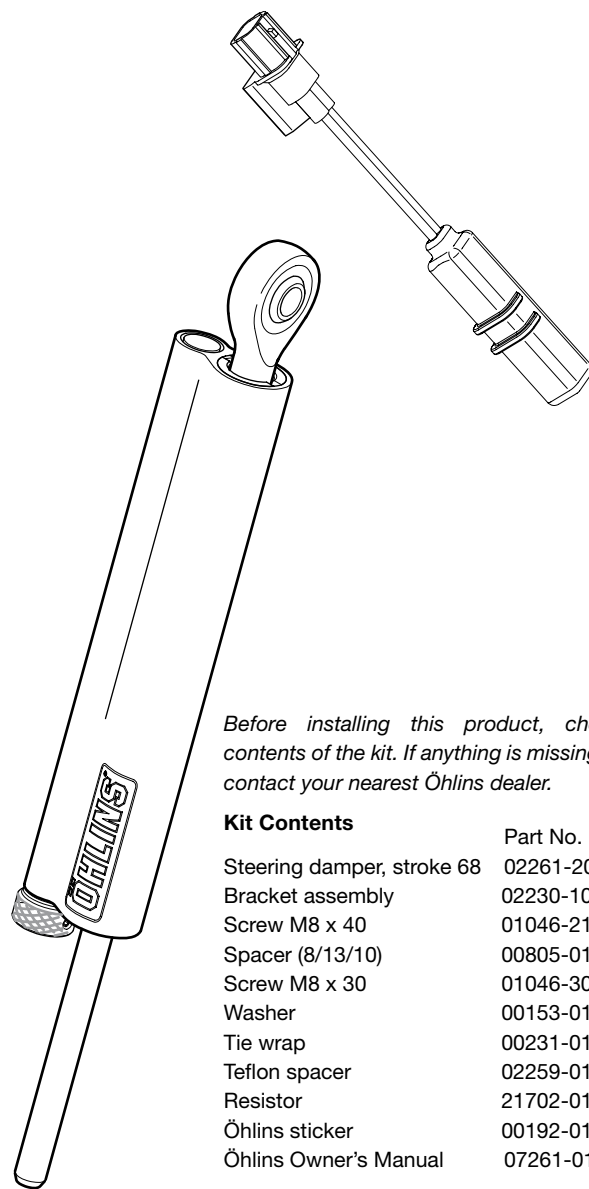
## ⚠ Warning!

Before riding, always make sure that the basic settings made by Öhlins are according to recommended Set-up Data. Read about adjustments and setting up in the Öhlins Owner's Manual before you make any adjustments. Contact an Öhlins dealer if you have any questions about setting up the shock absorber.



## Set-up Data

Recommended set-up                      10 clicks



Before installing this product, check the contents of the kit. If anything is missing, please contact your nearest Öhlins dealer.

Kit Contents	Part No.	Pcs.
Steering damper, stroke 68	02261-20	1
Bracket assembly	02230-10	1
Screw M8 x 40	01046-21	1
Spacer (8/13/10)	00805-01	1
Screw M8 x 30	01046-30	1
Washer	00153-01	2
Tie wrap	00231-01	1
Teflon spacer	02259-01	1
Resistor	21702-01	1
Öhlins sticker	00192-01	2
Öhlins Owner's Manual	07261-01	1

Please note that during storage and transportation, especially at high ambient temperature, some of the oil and grease used for assembling may leak and stain the packaging. This is in no way detrimental to the product, wipe off the excessive oil/grease with a cloth.

## ⚠ Warning!

Before installing this product, read the Öhlins Owner's Manual. The shock absorber is an important part of your vehicle and may affect the stability.

Öhlins products are subject to continuous improvement and development, therefore, although these instructions include the most up-to-date information available at the time of printing, minor updates may occur. To find the latest information contact your Öhlins distributor. Please consult your Öhlins dealer if you have any questions regarding the contents in this document.

© Öhlins Racing AB. All rights reserved. Any reprinting or unauthorized use without the written permission of Öhlins Racing AB is prohibited.

Öhlins Racing AB  
Box 722  
S-194 27 Upplands Väsby, Sweden  
Phone +46 8 590 025 00  
fax +46 8 590 025 80

Part no. SD 030\_0  
Issued 2009-06-09



## Steering Damper for Suzuki GSXR600/750/1000

# SD 030

## Mounting Instructions



**⚠ Warning!**

It is advisable to have an Öhlins dealer install the shock absorber.

When installing, consult your Vehicle Service Manual.

**1**

Put the motorcycle on a workstand.

**⚠ Warning!**

Make sure the vehicle is securely supported so that it will not tip.

**2**

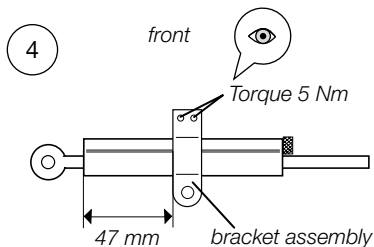
Loosen and remove the cover underneath the lower triple clamp.

**3**

Loosen and remove the original steering damper.

**4**

Install the Öhlins steering damper to the bracket assembly (02230-10). Install it according to the figure.



**5**

Install the Öhlins steering damper to the original mounting points. Use the screw (01046-21), spacer (00805-01) and the original nut to the bracket in the triple clamp.

**6**

Use the screw (1046-30) and washers (00153-01) provided in this kit. Install the teflon spacer between the Öhlins bracket and the washers.

**👁 Note!**

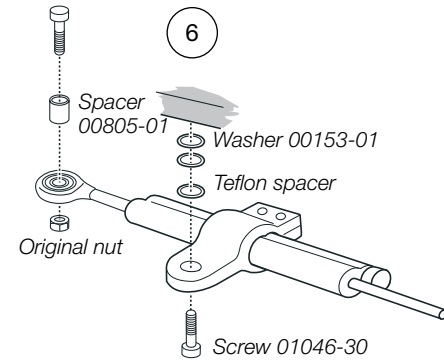
Make sure there is clearance when turning the steering to the left and right end positions and that the damper is not used as a stop.

**7**

Tighten the bolts to the correct torque. Consult your vehicle service manual for correct torque.

**5**

Screw 01046-21



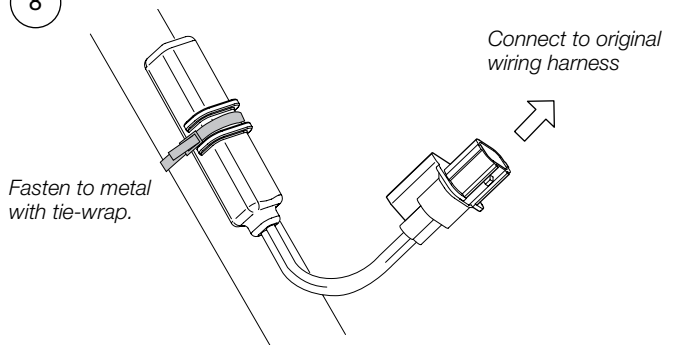
**8**

Connect the resistor provided in this kit to the original wiring harness. Fasten the resistor to metal object, use the tie-wrap provided.

**⚠ Caution!**

The resistor can become very hot, (around 80° C).

**8**



**👁 Note!**

Make sure that the steering has clearance for turning both to the left and to the right end positions, and that the damper is not used as a stop.

**9**

Read more about the steering damper and its different settings in your Öhlins Owners Manual.

**⚠ Caution!**

Make sure that all screws are tightened to the correct torque and that nothing fouls or restricts movement of the steering damper at steering end positions.