

*Shock absorber KTM RC390*

**KT 3030**

*Spare Parts List*



## SAFETY PRECAUTIONS

### **⚠ Warning!**

The shock absorber/front fork/steering damper is an important part of the vehicle and will affect the stability.

### **⚠ Warning!**

After installing the Öhlins product, take a test ride at low speed to make sure your vehicle has maintained stability.

### **⚠ Warning!**

Some of Öhlins products contain pressurized nitrogen gas (N<sub>2</sub>). Do not open, service or modify pressurized products without proper education (approved Öhlins dealer/distributor) and proper tools.

### **👁 Note!**

Read and ensure you understand the information in this manual and other technical documents provided by Öhlins, before you use the product.

### **👁 Note!**

Öhlins Asia Co., Ltd can not be held responsible for any damage to the shock absorber/front fork/steering damper, vehicle, other property or injury to persons, if the instructions for mounting, usage and maintenance are not obeyed.

### **⚠ Warning!**

If the suspension makes an abnormal noise, or the function is irregular, or if you notice any leakage from the product, stop the vehicle immediately and return the product to an Öhlins Service Centre.

### **⚠ Warning!**

The product warranty shall only apply if the product has been operated and maintained in accordance with recommendations in this manual. If you have any questions regarding usage, service, inspection and/or maintenance contact Öhlins.

### **👁 Note!**

When working with the Öhlins product, read the Vehicle Service Manual.

### **⚠ Warning!**

This product was developed and designed exclusively for a specific vehicle model and shall only be installed on the intended vehicle model in its original condition as delivered from the vehicle manufacturer.

## Contents

Figure 1 - Body assy .....	3
Figure 2 - Reservoir assy .....	4
Figure 3 - Damping assy + Seal head assy....	5
Figure 4 - Compression valve assy .....	6
Figure 5 - Shaft assy .....	7

## SAFETY SYMBOLS

In this manual, mounting instructions and other technical documents, important information concerning safety is distinguished by the following symbols:



The Safety Alert Symbol means: Warning! Your safety is involved.

### **⚠ Warning!**

The Warning Symbol means: Failure to follow warning instructions can result in severe or fatal injury to anyone working with, inspecting or using the shock absorber, or to bystanders.

### **👉 Caution!**

The Caution Symbol means: Special precautions must be taken to avoid damage to the shock absorber.

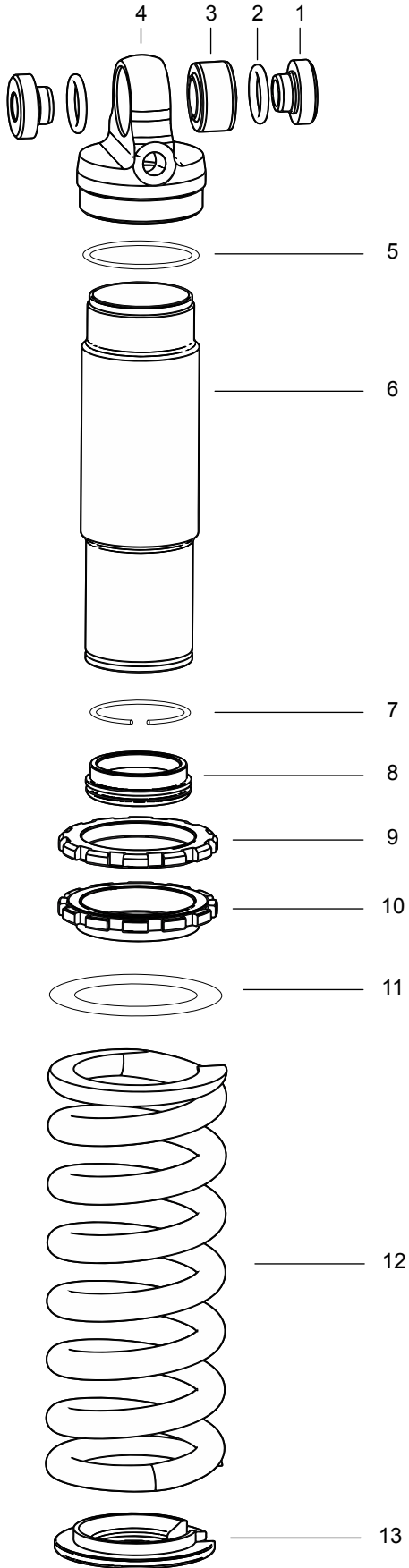
### **👁 Note!**

The Note Symbol indicates information that is important regarding procedures.

© Öhlins Asia Co.,Ltd. All rights reserved.  
Any reprinting or unauthorized use without the written permission of Öhlins Asia Co.,Ltd is prohibited.

# SPL KT 3030

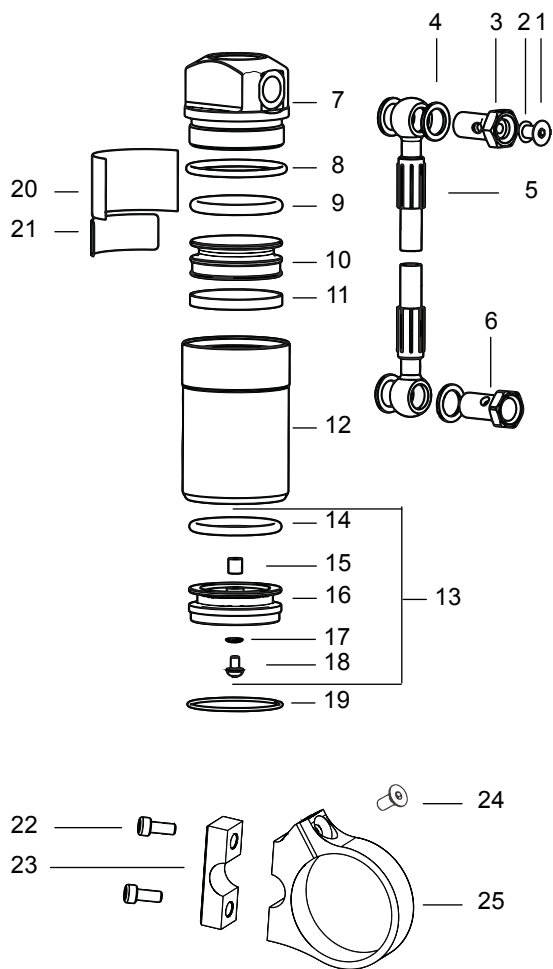
Figure 1 - Body assy



Pos	Part No	Pcs	Description	Notes
1-1	01218-39	2	Spacer, ball joint	
1-2	00638-82	2	O-ring	
1-3	00536-13	1	Ball joint	
1-4	00570-23	1	Cylinder head	
1-5	00338-37	1	O-ring	
1-6	04210-17	1	Cylinder tube	
1-7	00575-01	1	Circlip	
1-8	61065-31	1	End cap	
1-9	60532-01	1	Lock nut	
1-10	60531-01	1	Spring platform	
1-11	00543-01	1	Washer	
1-12	61091-36	1	Spring	
1-13	00516-01	1	Spring clip	

# SPL KT 3030

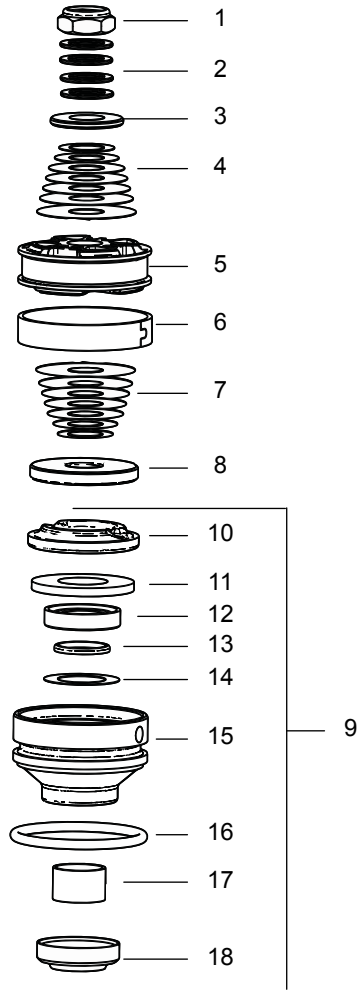
Figure 2 - Reservoir assy



Pos	Part No	Pcs	Description	Notes
2-1	00382-07	1	Screw	
2-2	00438-33	1	O-ring	
2-3	00631-02	1	Banjo bolt	
2-4	00586-01	4	Seal washer	
2-5	00637-20	1	Hose	
2-6	00631-01	1	Banjo bolt	
2-7	00862-02	1	Reservoir end	
2-8	00338-24	1	O-ring	
2-9	00338-04	1	O-ring	
2-10	00305-01	1	Reservoir piston	
2-11	00340-01	1	Teflon band	
2-12	00302-02	1	Reservoir	
2-13	00161-03	1	Reservoir top assy	
2-14	00338-26	1	O-ring	
2-15	00604-01	1	Rubber valve	
2-16	00561-03	1	Reservoir end cap	
2-17	00338-59	1	O-ring	
2-18	01050-01	1	Screw	
2-19	00329-01	1	Circlip	
2-20	60191-10	1	Sticker Öhlins	
2-21	00196-01	1	Sticker Warning	
2-22	01046-36	2	Screw M6x12	
2-23	03102-10	1	Bracket	
2-24	00382-02	1	Screw M6x14	
2-25	03102-09	1	Bracket	

# SPL KT 3030

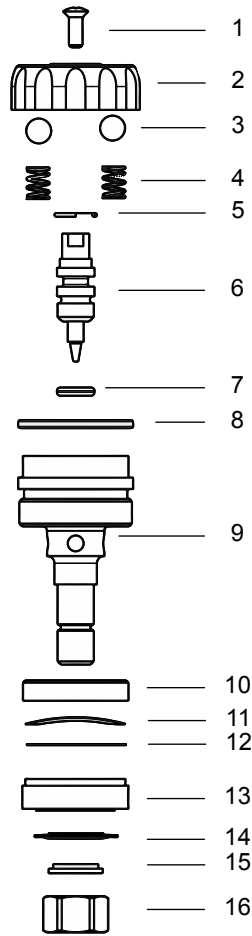
Figure 3 - Damping assy + Seal head assy



Pos	Part No	Pcs	Description	Notes
3-1	00539-01	1	Lock nut	
3-2	00578-01	4	Washer	
3-3	00519-05	1	Stop washer	
3-4	-	-	Shim stack	See spec.
3-5	01114-14	1	Piston	
3-6	00541-01	1	Piston ring	
3-7	-	-	Shim stack	See spec.
3-8	00519-04	1	Stop washer	
3-9	65129-09	1	Seal head assy	
3-10	03067-03	1	Stop rubber	
3-11	04752-03	1	Washer	
3-12	04717-03	1	Seal	
3-13	01032-23	1	Back-up ring	
3-14	04729-04	1	Shim	
3-15	65122-06	1	Seal head	
3-16	00338-46	1	O-ring	
3-17	01056-14	1	Bushing	
3-18	01031-02	1	Scraper	

# SPL KT 3030

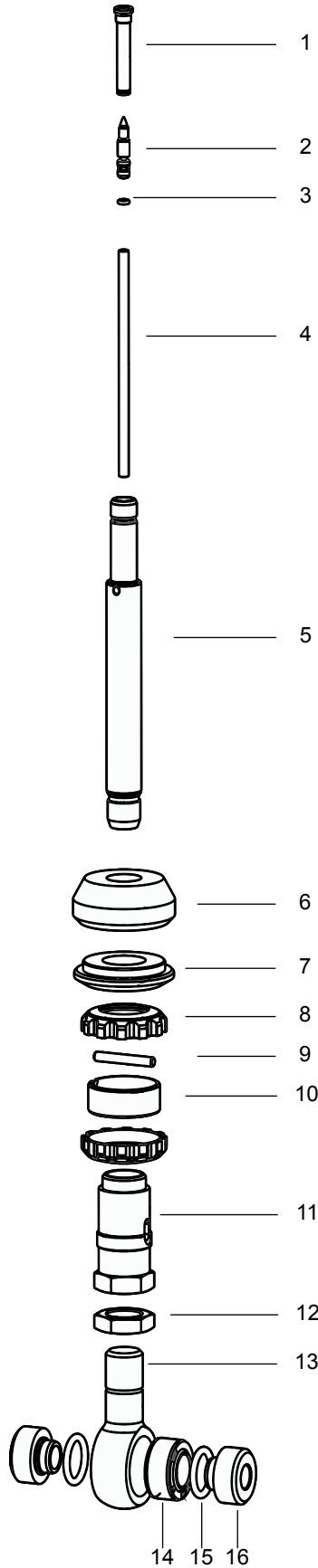
Figure 4 - Compression valve assy



Pos	Part No	Pcs	Description	Notes
4-1	00828-01	1	Screw	
4-2	00820-02	1	Knob	
4-3	00884-07	2	Ball	
4-4	00833-01	2	Spring	
4-5	01473-06	1	Circlip	
4-6	01242-06	1	Adj. needle	
4-7	00338-79	1	O-ring	
4-8	00338-27	1	O-ring	
4-9	01243-08	1	End piece	
4-10	01247-01	1	Check valve housing	
4-11	01246-01	1	Wave washer	
4-12	01245-01	1	Check valve	
4-13	01244-07	1	Valve comp.	
4-14	-	-	Shim stack	See spec.
4-15	00641-01	1	Washer	
4-16	00430-07	1	Nut	

# SPL KT 3030

Figure 5 - Shaft assy



Pos	Part No	Pcs	Description	Notes
5-1	05621-04	1	Shaft jet	
5-2	05655-04	1	Adj. needle	
5-3	00338-14	1	O-ring	
5-4	00566-94	1	Adj. shaft	
5-5	05500-26	1	Shaft	
5-6	00563-03	1	Bump rubber	
5-7	61017-01	1	Stop washer	
5-8	01016-01	2	Seal reb. adjuster	
5-9	01030-01	1	Pin	
5-10	01128-01	1	Adj. knob	
5-11	01058-01	1	Shaft extension	
5-12	01059-01	1	Nut	
5-13	01061-01	1	End eye	
5-14	00536-13	1	Ball joint	
5-15	00638-82	2	O-ring	
5-16	01218-39	2	Spacer, ball joint	

Your Öhlins retailer:

ISO 9001  
BUREAU VERITAS  
Certification



Öhlins Racing AB  
Box 722  
SE-194-27, Upplands Väsby  
Sweden

Phone: +46 (0)8 590 025 00  
Fax: +46 (0)8 590 025 80  
[www.ohlins.com](http://www.ohlins.com)



[www.ohlins.com](http://www.ohlins.com)