

# YA 343

Yamaha R1, 2004

## Öhlins shock absorber 46 PRXLS

Your Öhlins shock absorber type 46 PRXLS features the following adjusters:

### **Compression damping adjuster (X)**

Adjustments are made on top of the reservoir.  
Low speed adjustments: Slotted centre screw.  
High speed adjustments: Hexagon screw.

### **Rebound damping adjuster (R)**

Adjuster wheel on the piston shaft above the end bracket.

### **Spring preload adjuster (S)**

Adjustments are made by turning the knob on the hydraulic adjuster.  
Clockwise for harder adjustment, counter clockwise to release the preload.

### **Length adjuster (L)**

Adjustment is made by turning the end eye and tightening with the lock nut.

### **NOTE!**

---

*When delivered the Öhlins shock absorber is dialed to recommended settings for the specific brand and make of the motorcycle. If you have changed the setting check like this:*

---

The adjusters have a normal right hand thread. Turn the damping adjusters clockwise to fully closed (pos. zero [0]). Turn counter clockwise to open and count the clicks until you reach the recommended number of clicks. See Setup data at last page.

### **CAUTION!**

---

*Do not use too much force, delicate sealing surfaces can be damaged.*

---

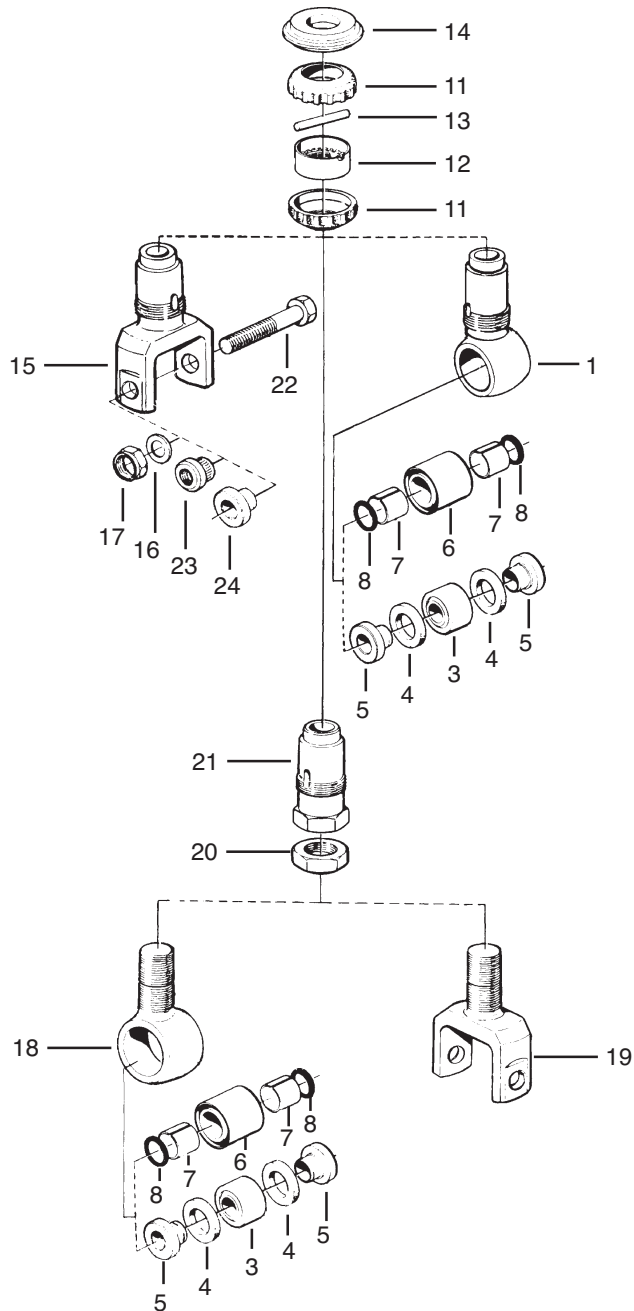


[Back to contents](#)

[Spare Parts List](#)

# YA 343

Yamaha R1, 2004



## End eye

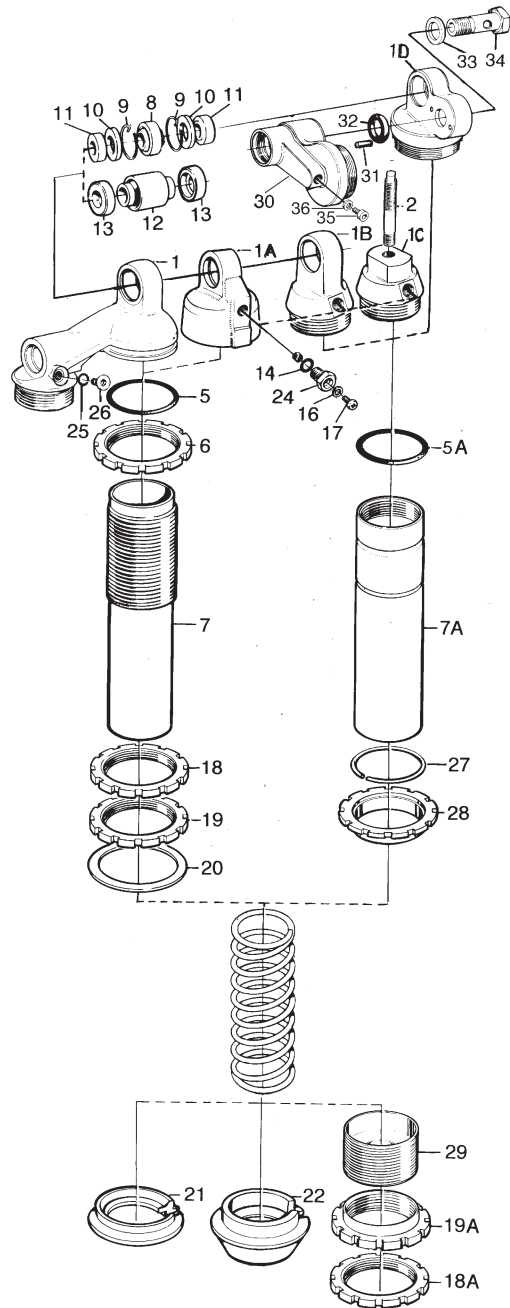
FigNo.	Part No	Description	Qty
01-03	00536-02	Ball joint dia 14/26/15	1
01-04	00534-01	Seal ball joint 16/26/3.5	2
01-05	01218-10	Spacer, ball joint 10x25 al	2
01-11	01016-01	Seal rebound adjuster	2
01-12	01128-01	Adjustment knob 25/33.1	1
01-13	01030-01	Pin 4x30 CPr h8	1
01-14	01017-01	Stop washer 20/46/10	1
01-18	03110-01	End eye M17/43/26 aluminum	1
01-20	01059-01	Nut M17x1/6.5	1
01-21	03109-01	Shaft M15x1/i16/44	1



[Back to contents](#)

# YA 343

Yamaha R1, 2004



## Body tube

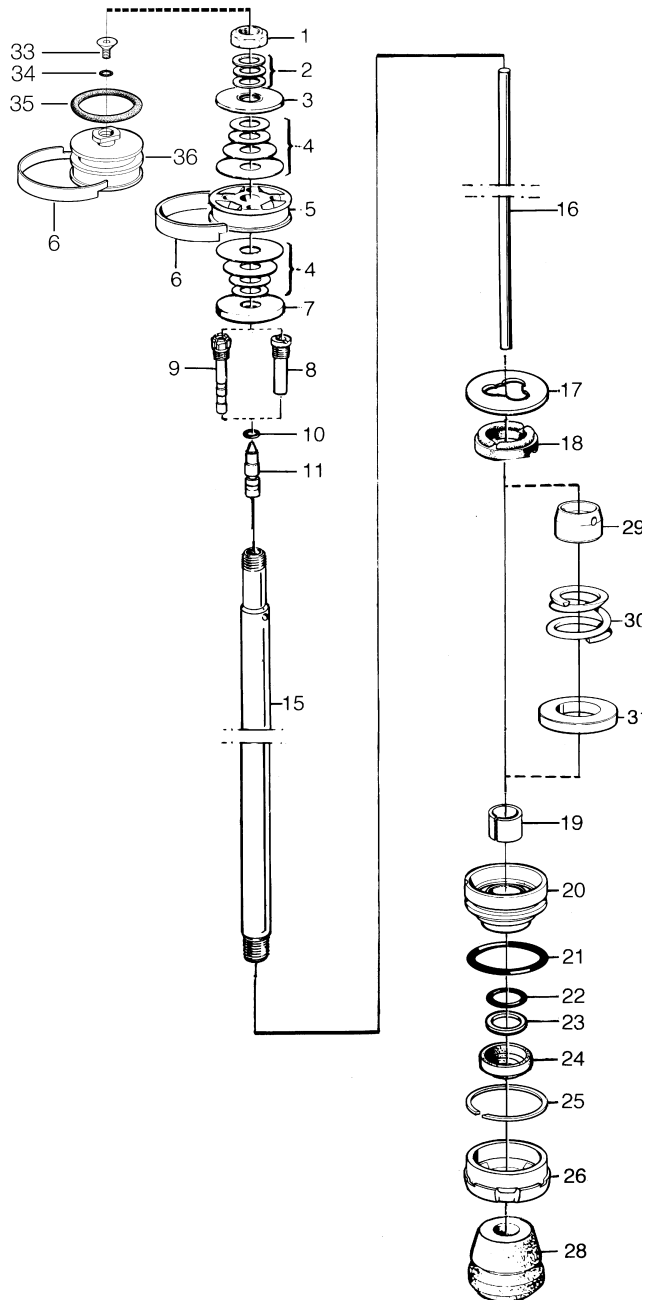
Fig No.	Part No	Description	Qty
02-01	04882-28	Cylinder head 70 deg pb 46/26	1
02-05	00338-37	O-ring 50x2.5 NBR70	1
02-07	01210-05	Cylinder tube 46/123.5 Al	1
02-08	00536-02	Ball joint dia 14/26/15	1
02-10	00534-01	Seal ball joint 16/26/3.5	2
02-13	01218-12	Spacer, ball joint 10x30 al	2
02-20	00543-01	Washer 57/73/1	1
02-21	00516-01	Spring clip for springs 57	1
02-25	00438-33	O-ring 5.6x1.6 NBR 70	1
02-26	00382-07	Screw MFT (DIN7991) A2 M5x8	1



[Back to contents](#)

# YA 343

Yamaha R1, 2004



## Shaft

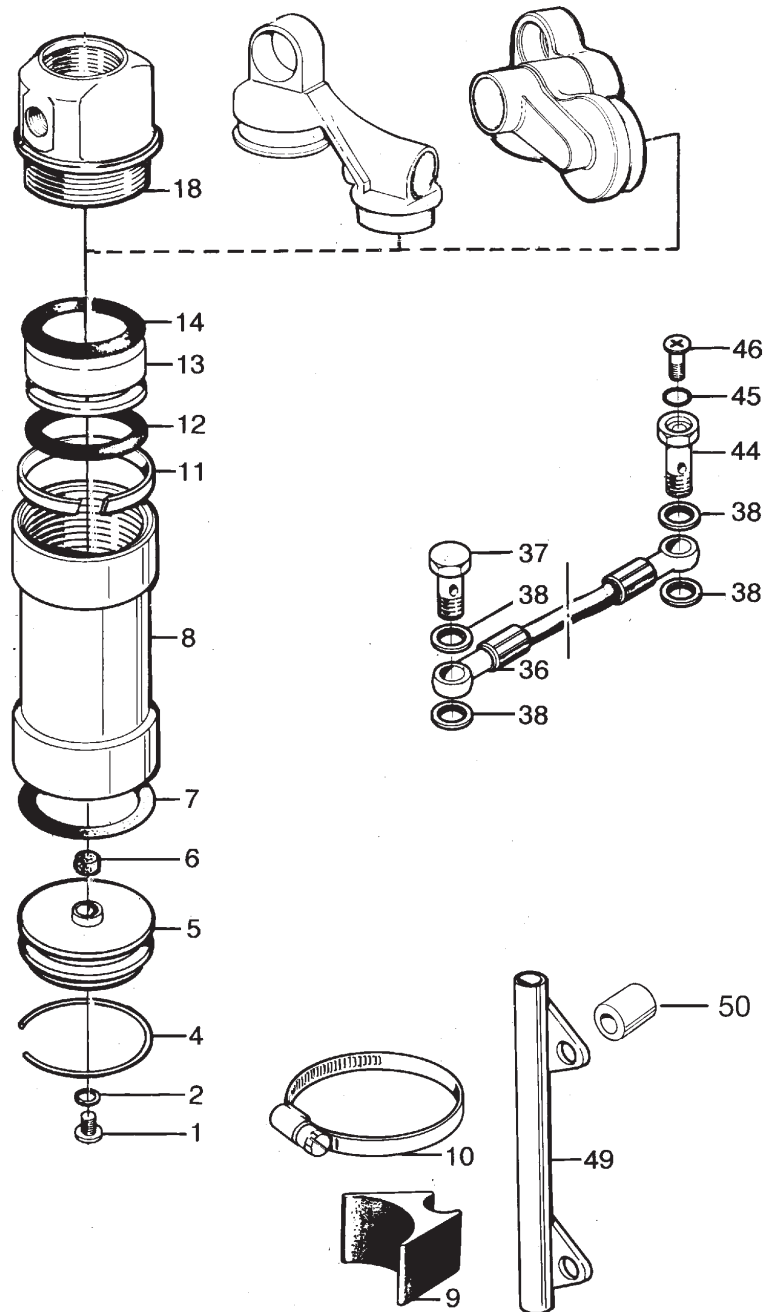
Fig No.	Part No	Description	Qty
03-01	00539-01	Lock nut M12x1.25/7	1
03-02	00578-01	Washer PS 12/18/1	5
03-03	00519-07	Stop washer 12/20/2 flat	1
03-05	03366-01	Piston 12/46 MX sintered	1
03-06	00541-01	Piston ring 46 ( INA 781561-1)	1
03-07	00519-08	Stop washer 12/37/4 TOP-OUT	1
03-09	05665-18	Valve assy dia 1.8 shaft bleed 3.2	1
03-10	00338-14	O-ring 3.1x1.6 NBR70	1
03-11	05655-04	Adjustment needle dia 3.2	1
03-15	05500-07	Shaft 16/163	1
03-16	00566-83	Adj.shaft 103.6/4.5	1
03-17	01069-02	Spacer 16/37.8/2 Black	1
03-18	05115-01	Stop rubber 23/36/8	1
03-19	01056-13	Bushing 16/18/12 DU	1
03-20	05129-04	Seal head assy 46/16	1
03-21	00576-01	O-ring 40.2x3 NBR70	1
03-22	01027-01	X-ring 15.54x2.62 NBR 88	1
03-23	01032-01	Back-up ring 16/20.6/1.4 PTFE	1
03-24	01031-02	Scraper 16/26x8/5.5	1
03-25	00575-01	Circlip SB 46, stainless	1
03-26	01065-01	End cap 46/16	1
03-28	00563-03	Bump rubber 16/47/19 PUR 650	1
03-29	01132-02	Top-out spring guide 16 - 5500shaft	1
03-30	01131-04	Stop spring 24.5/24.5/1125N	1
03-31	01269-02	Spacer 16/38/2	1



[Back to contents](#)

# YA 343

Yamaha R1, 2004



## Reservoir

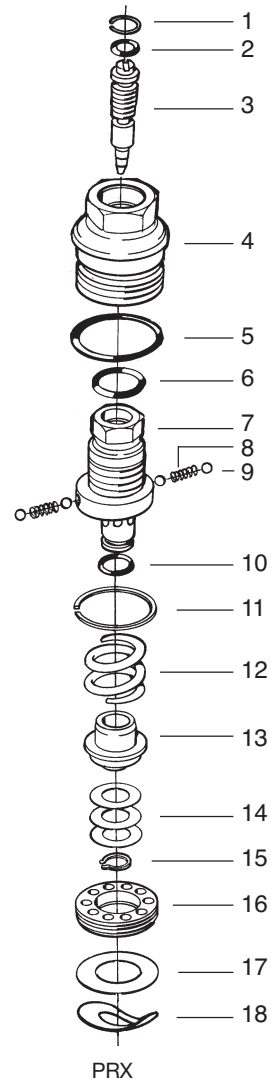
Fig No.	Part No	Description	Qty
04-00	00191-02	Sticker "ÖHLINS" blue/transp	1
04-00	00196-01	Sticker "Warning"black/transp 17x53	1
04-01	01050-01	Screw DIN 7985 Torx A2 M4x6	1
04-02	00338-59	O-ring 4.5x1.5 NBR70	1
04-04	00329-04	Circlip 53/1.5	1
04-05	00161-04	Reservoir top assy 49	1
04-07	00438-27	O-ring 40x5 FKM70	1
04-08	00403-02	Reservoir 49/90	1
04-11	00340-03	Teflon band Dia 49/5 55-60D Shore D	1
04-12	00438-27	O-ring 40x5 FKM70	1
04-13	00405-01	Reservoir piston 49	1
04-14	00438-26	O-ring 44.04x3.53 NBR70	1



[Back to contents](#)

# YA 343

Yamaha R1, 2004



## Compression valve

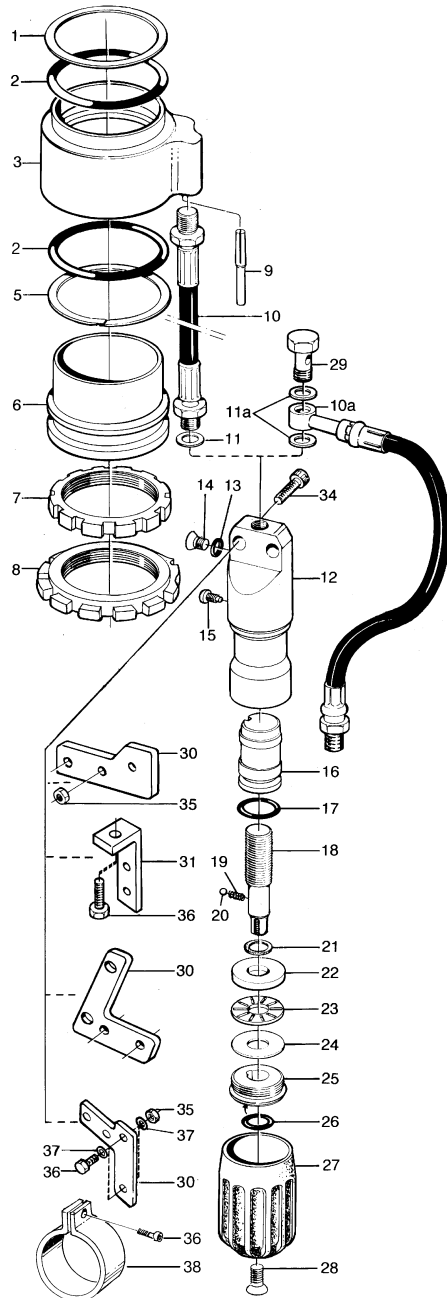
Fig No.	Part No	Description	Qty
05-00	05946-83	Comp.adj. 2-w assy slot 1.5 /50N/mm	1
05-01	01473-01	Circlip SRH 8 stainless	1
05-02	00577-01	O-ring 5.1x1.6 NBR70	1
05-03	05944-01	Adjustment needle 1,5mm	1
05-04	05942-01	End piece, 2-w comp.adj. click	1
05-05	00438-02	O-ring 23.52x1.78 NBR70	1
05-06	00338-69	O-ring 11.1x1.6 NBR70	1
05-07	05943-01	Needle housing	1
05-08	05945-01	Spring SS2796 0,32x2x7,69	2
05-09	00884-02	Ball 2.5-G20 £	4
05-10	00438-52	O-ring 6x1 NBR 70	1
05-11	00575-13	Circlip SB 23	1
05-12	04102-25	Spring, k=50 N/mm, L=16mm	1
05-13	04103-02	Poppet valve, dia 14	1
05-14	01420-14	Shims 6/14/0.20	3
05-15	01499-04	Circlip SRA 6	1
05-16	04104-02	Valve seat, dia 12	1
05-17	00520-23	Shims 12/23/0.20	1
05-18	04105-02	Wave washer 12/23/0,10	1



[Back to contents](#)

# YA 343

Yamaha R1, 2004



## Pre-load adjuster

Fig No.	Part No	Description	Qty
06-00	00191-06	Sticker "ÖHLINS" blue/transp 18x46	1
06-01	03611-01	Support ring di 54.4x3.25x1.5	1
06-02	00338-90	O-ring 54X4 NBR70	2
06-03	03607-01	Preload housing M10-hose	1
06-05	03610-01	Support ring 62.2x3.25x1.5	1
06-06	03606-01	Inner sleeve hydr.prel.adj	1
06-07	03609-01	Lock nut 61/52/6	1
06-08	03608-01	Guide nut 52/73/6	1
06-09	03613-01	Pin CP 4x35 m6 A1	1
06-10a	01042-10	Hose M10x1/8/170	1
06-11a	01048-01	Seal washer dia 8 8.7x14x1	2
06-12	00438-27	O-ring 40x5 FKM70	1
06-12	03600-01	Adj.cylinder hydr.prel.adj 2:1 10mm	1
06-13	00338-79	O-ring 5.28x1.78 NBR70	1
06-14	00438-26	O-ring 44.04x3.53 NBR70	1
06-14	00382-07	Screw MFT (DIN7991) A2 M5x8	2
06-15	03601-02	Guide screw M3x6.5	1
06-15	03614-01	Seal washer dia 3 3.1x6.4x1.3	1
06-16	03604-01	Piston 21/M12-left/31	1
06-17	00338-89	O-ring 15.88x2.62 NBR70	1
06-18	03602-01	Adj. screw M12-left/52.25	1
06-19	03083-01	Spring 3/6.1/6.18	1
06-20	00884-03	Ball 3-G40-X46CR13	1
06-21	00131-03	Circlip SW 10	1
06-22	03072-02	Thrust washer AS 1024	1
06-23	01023-02	Thrust needle bearing AXK1024	1
06-24	03073-02	Thrust washer LS 1024	1
06-25	03603-01	Cover 29/10.3/9	1
06-26	00338-88	O-ring 10x2.5 NBR70	1
06-27	03605-01	Knob for hydr.prel.adj. with hose	1
06-28	00382-08	Screw MF6S 5x12 stainless	1
06-29	00831-01	Banjo bolt M8x1	1
06-34	01046-16	Bolt MC6S 6x20 8.8 fzb	£ 3
06-35	00430-02	Nut M6 DIN 985 fzb kl8	2
06-37	00153-04	Washer BRB SMS70 6.4/12/1.5	2
06-38	03102-03	Bracket hydr.prel on res 49-45deg	1



[Back to contents](#)