

Shock Absorber TTX36 Suzuki GSX-1300 R

SU 0260

Spare Parts List





ADVANCED SUSPENSION TECHNOLOGY

Safety Precautions

Note!


The shock absorber is a very important part of the vehicle and will therefore affect the stability of the vehicle.


 Read and make sure that you understand the information in this manual and the mounting instructions before you use this product. If you have any questions regarding installation or maintenance please contact your nearest Öhlins dealer.

 Öhlins Racing AB can not be held responsible for any damage to the shock absorber, vehicle, other property or injury to persons, if the instructions for installing and maintenance are not followed exactly.

Warning!


This product was developed and designed exclusively for a specific vehicle model and should only be installed on the intended vehicle model in its original condition as delivered from the vehicle manufacturer.

 This product contains pressurized nitrogen gas (N₂). Do not open, service or modify this product without proper education (authorized Öhlins dealer/distributor) or proper tools.

 After installing this product, take a test ride at low speed to make sure that your vehicle has maintained its stability.

Note!

When working on this product, always consult your Vehicle Service Manual.

 This Manual should be considered as a part of the product and should therefore accompany the product throughout its life cycle.

Safety Symbols

In this manual, mounting instructions and other technical documents, important information concerning safety is distinguished by the following symbols:



The Safety Alert Symbol means: Warning! Your safety is involved.

Warning!

The Warning Symbol means: Failure to follow warning instructions can result in severe or fatal injury to anyone working with, inspecting or using the shock absorber, or to bystanders.

Caution!

The Caution Symbol means: Special precautions must be taken to avoid damage to the shock absorber.

Note!

The Note Symbol indicates information that is important regarding procedures.

© Öhlins Racing AB. All rights reserved. Any reprinting or unauthorized use without the written permission of Öhlins Racing AB is prohibited.
Printed in Sweden.

Pos	Part No.	Pcs	Description	Type/Remarks
1-1	00139-03	1	Lock nut	
1-2	00438-66	1	O-ring	
1-3	21018-01	1	Piston band	
1-4	21015-02	1	Piston	
1-5	21031-30	1	Top out spring	
1-6	21032-03	1	Top out spring guide	
1-7	21028-03	2	Spacer	
	21025-01	1	Seal head assy	
1-8	01056-15	1	Bushing	
1-9	00827-01	1	X-ring	
1-10	01032-03	1	Back-up ring	
1-11	21027-01	1	Stop rubber	
1-12	21026-01	1	Seal head	
1-13	03070-01	1	Scraper	
1-14	00338-02	1	O-ring	

Fig.1 Shaft assy

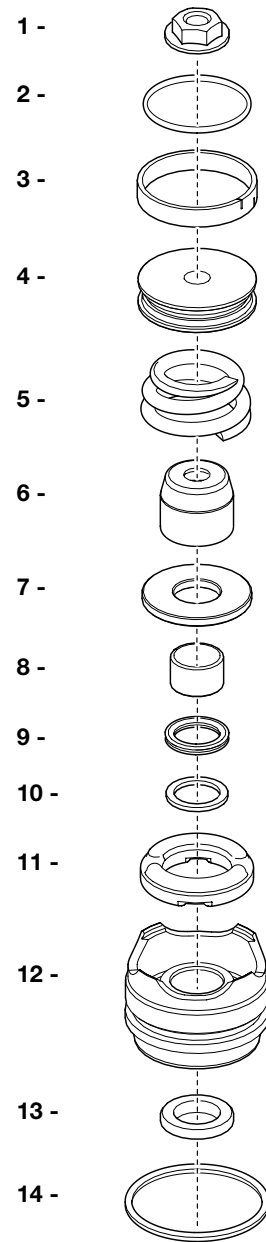


Fig.2

Shaft assy

Pos	Part No.	Pcs	Description	Type/Remarks
2-1	21030-01	1	End cap	
2-2	21029-01	1	Bump rubber	
2-3	21001-06	1	Shaft	
2-4	21020-10	1	Shaft extension	
2-5	01095-54	1	Spring	<i>Standard</i>
	06775-03	2	Spring spacer 57/51mm	<i>Not in figure</i>
2-6	21036-02	1	Spring clip	
2-7	00329-15	1	Circlip	
2-8	01059-01	1	Nut	
2-9	03160-12	1	Bracket	

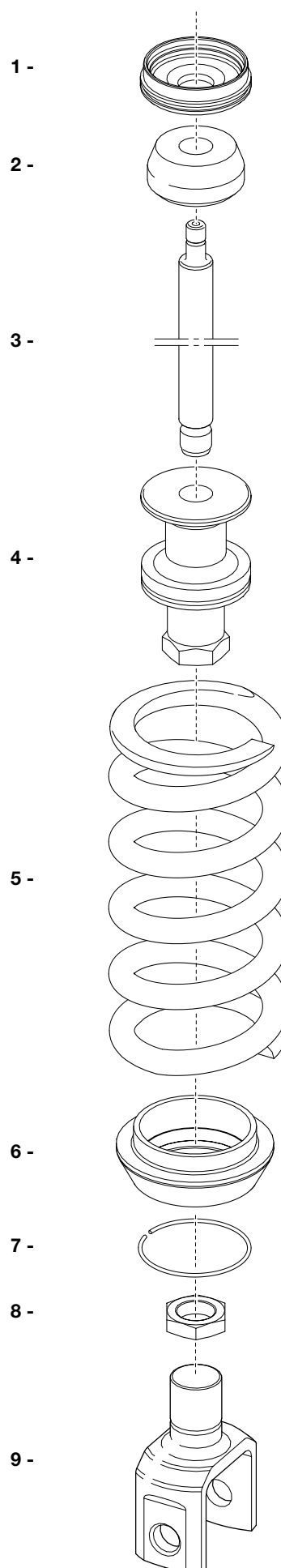


Fig.3 Cylinder tubes

Pos	Part No.	Pcs	Description	Type/Remarks
3-1	00576-03	1	O-ring	
3-2	21010-09	1	Outer tube	
3-3	21005-09	1	Inner tube	

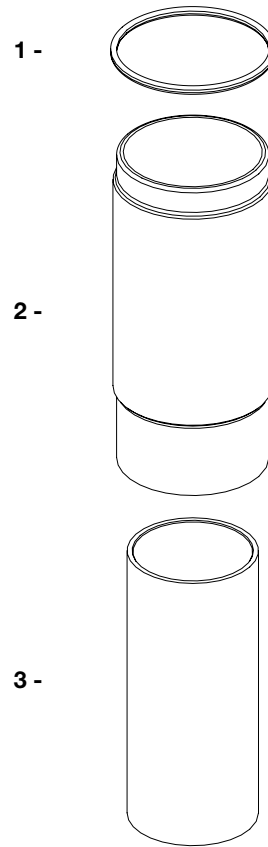


Fig.4 Cylinder head

Pos	Part No.	Pcs	Description	Type/Remarks
4-1	01218-12	2	Spacer, ball joint	
4-2	00534-01	2	Seal ball joint	
4-4	00536-12	1	Ball joint	
4-5	00382-07	1	Screw	
4-6	00438-33	1	O-ring	
4-7	21070-18	1	Cylinder head	

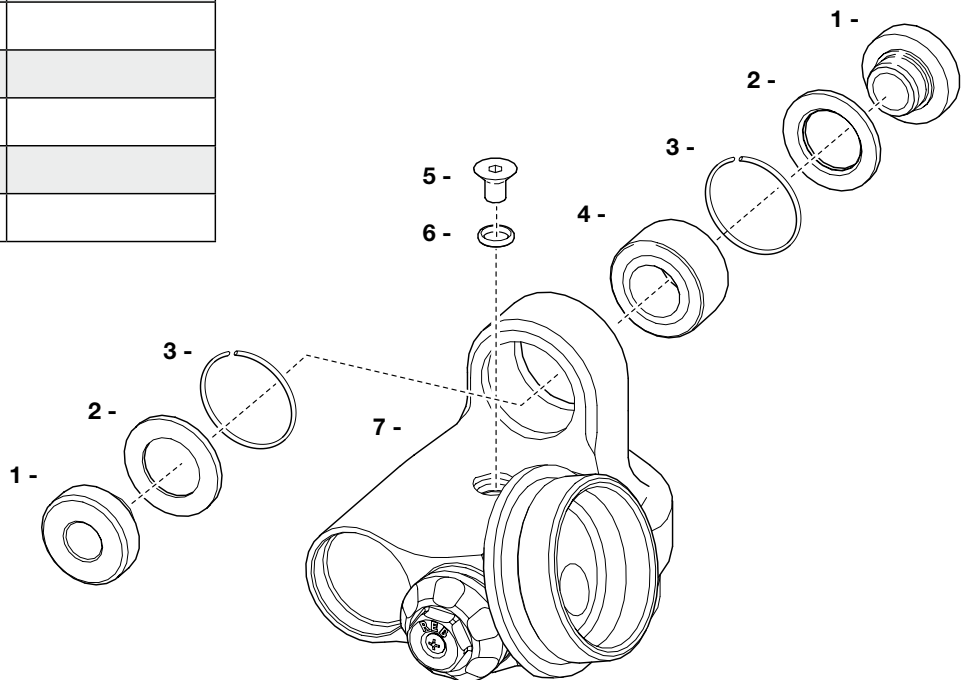


Fig.5

Reservoir assy

Pos	Part No.	Pcs	Description	Type/Remarks
5-1	00329-01	1	Circlip	
5-2	01050-01	1	Screw	
5-3	00338-59	1	O-ring	
5-4	00161-85	1	Reservoir top assy	
5-5	00338-04	1	O-ring	
5-6	00305-01	1	Piston	
5-7	00340-01	1	Teflon band	
5-8	00338-26	1	O-ring	
5-9	00196-01	1	Sticker "Warning"	
5-10	00302-06	1	Reservoir	
5-11	00191-24	1	Sticker "Öhlins TTX"	
5-12	00338-24	1	O-ring	

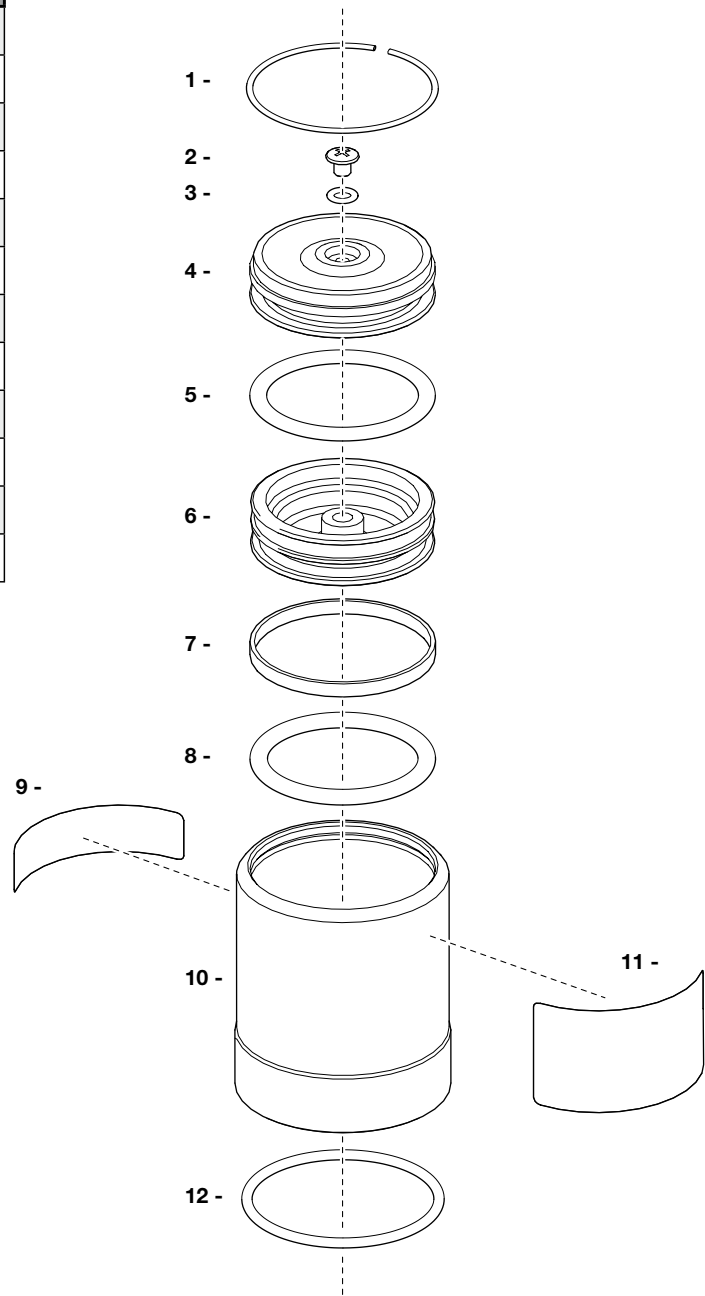


Fig.6

Preload housing assy

Pos	Part No.	Pcs	Description	Type/Remarks
6-1	21505-01	1	Conical nut	
6-2	00438-79	1	O-ring	
6-3	21511-01	1	Inner sleeve	
6-4	00638-08	1	O-ring	
6-5	21512-01	1	Housing	
6-6	00638-07	1	O-ring	
6-7	21501-01	1	Piston	
6-8	00577-01	1	O-ring	
6-9	01473-04	1	Circlip	

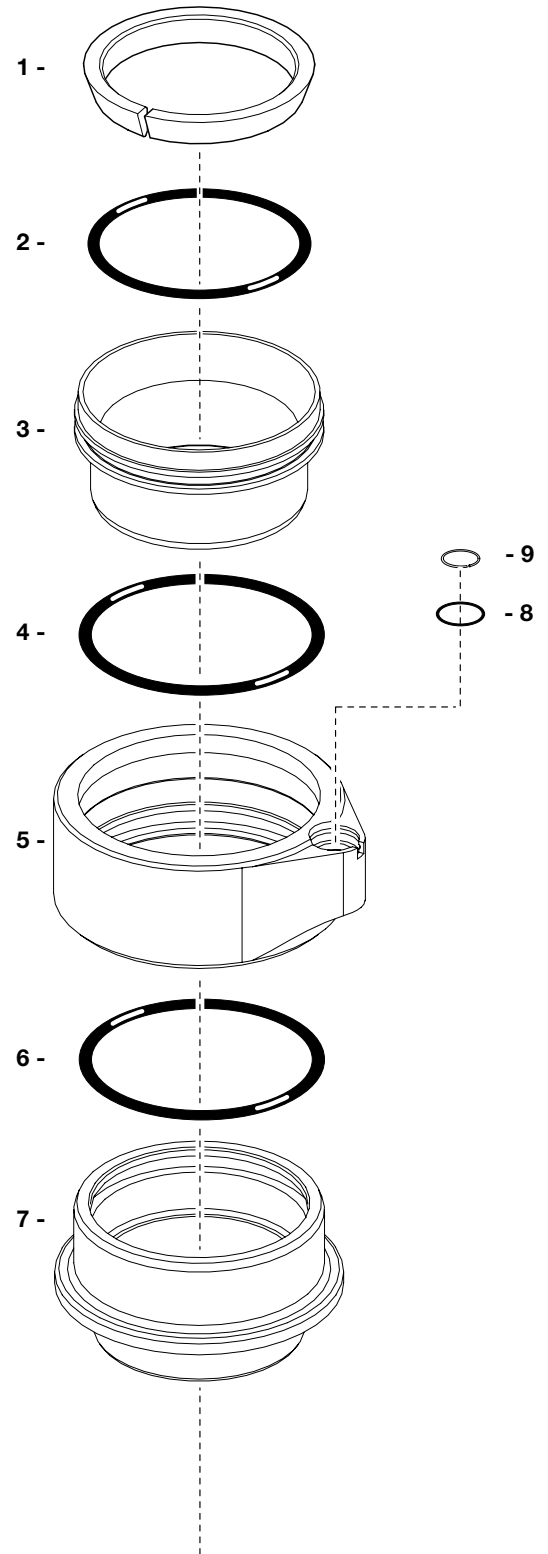


Fig.7 Adjustment cylinder assy

Pos	Part No.	Pcs	Description	Remarks
7-1	00382-08	1	Screw	
7-2	03605-01	1	Knob	
7-3	03603-01	1	Cover	
7-4	00338-88	1	O-ring	
7-5	03072-02	1	Thrust washer AS	
7-6	01023-02	1	Thrust needle bearing	
7-7	03073-02	1	Thrust washer LS	
7-8	00131-03	1	Circlip	
7-9	03602-01	1	Adj. screw	
7-10	03083-01	1	Spring	
7-11	00884-03	1	Ball	
7-12	00338-89	1	O-ring	
7-13	03604-04	1	Piston	
7-14	05404-10	2	Screw M6x35	
	01138-01	2	Spacer	
7-15	01082-02	1	Bracket hydr. prel.	
7-16	03600-01	1	Adj. cylinder hydr. prel.adj.	
7-17	03614-01	1	Seal washer	
7-18	03601-02	1	Guide screw	
7-19	00338-79	1	O-ring	
7-20	00382-07	1	Screw	
7-22	01048-01	1	Seal washer	
7-23	21508-12	1	Hose straight	
7-24	00153-04	2	Washer	
7-25	00430-02	2	Nut	
7-26	00831-02	1	Banjo bolt	

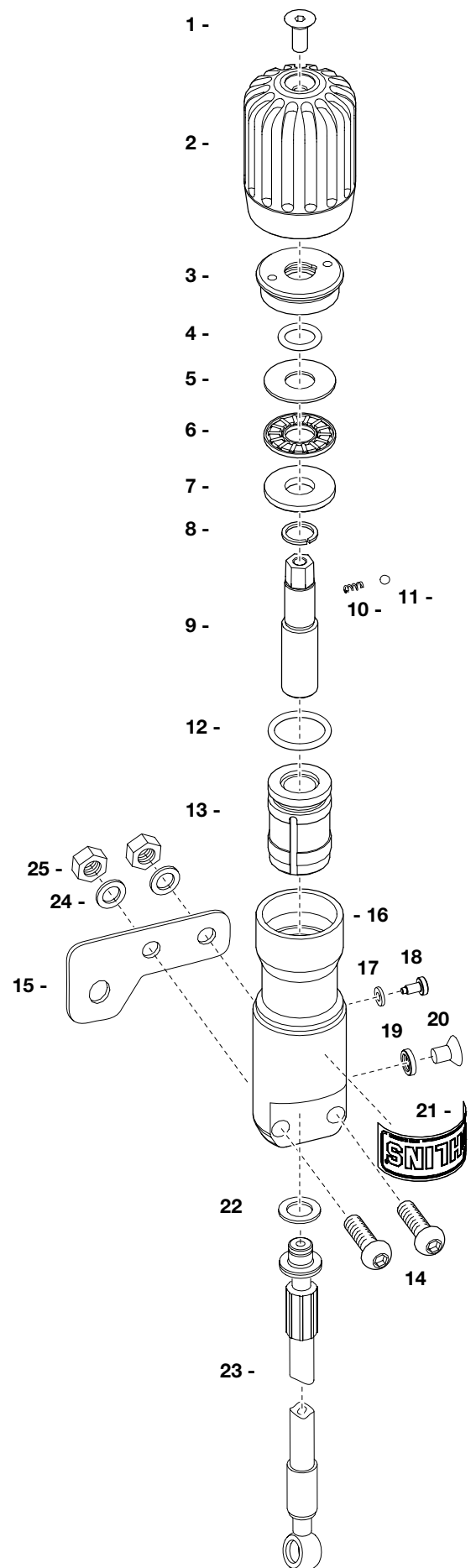
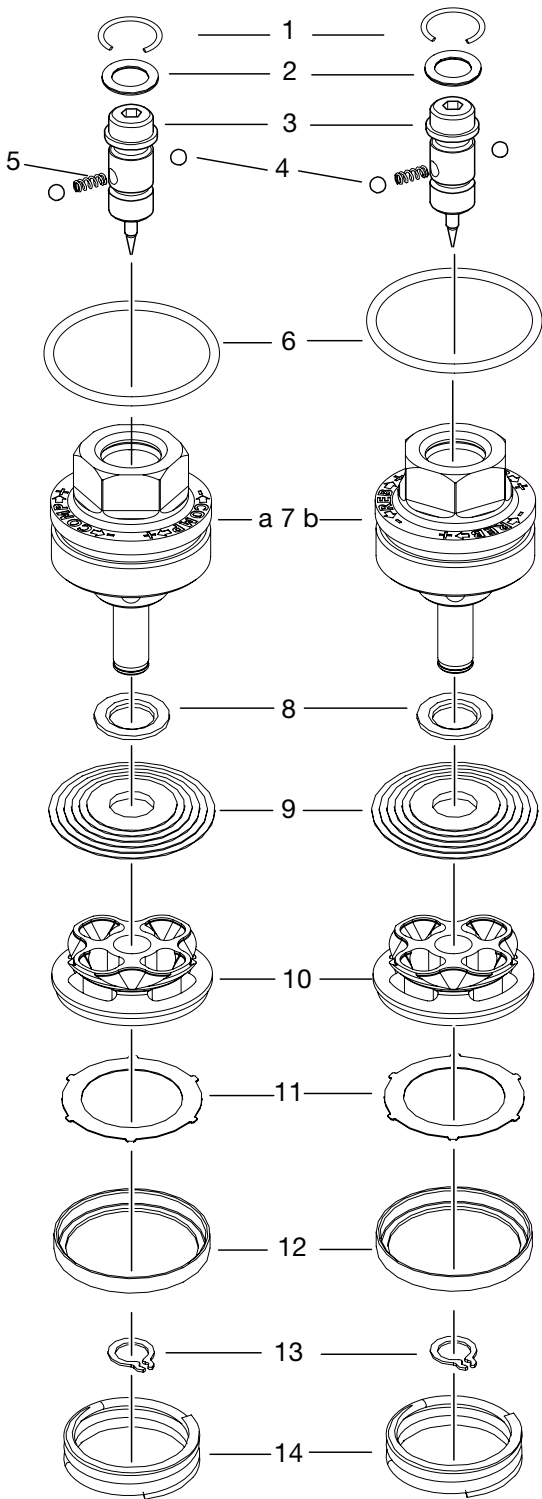


Figure 8



Pos	Part No	Pcs	Description	Notes
8-1	01473-02	2	Circlip	
8-2	00338-53	2	O-ring	
8-3	01242-11	2	Adj. needle	
8-4	00884-04	4	Ball	
8-5	01248-01	2	Spring	
8-6	00438-02	2	O-ring	
8-7a	21043-03	1	Housing	<i>Compression</i>
8-7b	21043-04	1	Housing	<i>Rebound</i>
8-8	-	-	Clamp washer	<i>See spec.card</i>
8-9	-	-	Shim stack	<i>See spec.card</i>
8-10	21044-30	2	Piston	
8-11	21045-02	2	Check valve	
8-12	21047-01	2	Check valve housing	
8-13	05009-06	2	Circlip	
8-14	21046-30	2	Check valve spring	

Your Öhlins retailer:



Öhlins Racing AB
Box 722
SE-194 27, Upplands Väsby
Sweden

Phone: +46 (0)8 590 025 00
Fax: +46 (0)8 590 025 80
www.ohlins.com



www.ohlins.com