

TTX30 KTM 65SX

KT 16980

Spare Parts List



SAFETY PRECAUTIONS

General Warnings

Note!

The shock absorber/front fork/steering damper is an important part of the vehicle and will affect the stability.

Note!

Read and ensure you understand the information in this manual and other technical documents provided by Öhlins, before using the product.

Note!

Öhlins Racing AB can not be held responsible for any damage to the shock absorber/front fork/steering damper, vehicle, other property or injury to persons, if the instructions for mounting, usage and maintenance are not followed exactly.

Warning!

After installing the Öhlins product, take a test ride at low speed to ensure your vehicle has maintained stability.

Warning!

If the suspension makes an abnormal noise, or the function is irregular, or if you notice any leakage from the product, stop the vehicle immediately and return the product to an Öhlins Service Centre.

Warning!

The product warranty shall only apply if the product has been operated and maintained in accordance with recommendations in this manual. If you have any questions regarding usage, service, inspection and/or maintenance please contact Öhlins.

Note!

When working with the Öhlins product, always read the Vehicle Service Manual.

Safety Symbols

In this manual, mounting instructions and other technical documents, important information concerning safety is distinguished by the following symbols:



The Safety Alert Symbol means: Warning! Your safety is involved.

Warning!

The Warning Symbol means: Failure to follow warning instructions can result in severe or fatal injury to anyone working with, inspecting or using the shock absorber, or to bystanders.



Caution!

The Caution Symbol means: Special precautions must be taken to avoid damage to the shock absorber.

Note!

The Note Symbol indicates information that is important regarding procedures.

Product Specific Warnings

Warning!

This product was developed and designed exclusively for a specific vehicle model and shall only be installed on the intended vehicle model in its original condition as delivered from the vehicle manufacturer.

Warning!

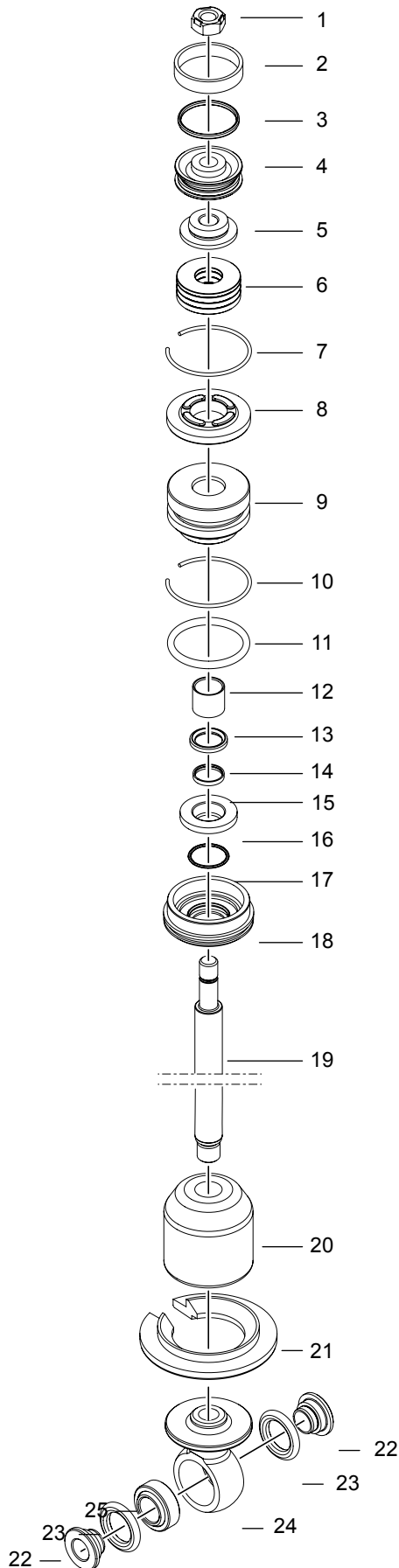
This product contains pressurized nitrogen gas (N₂). Do not open, service or modify this product without proper education (authorized Öhlins dealer/distributor) and proper tools.

© Öhlins Racing AB. All rights reserved. Any reprinting or unauthorized use without the written permission of Öhlins Racing AB is prohibited.

CONTENTS

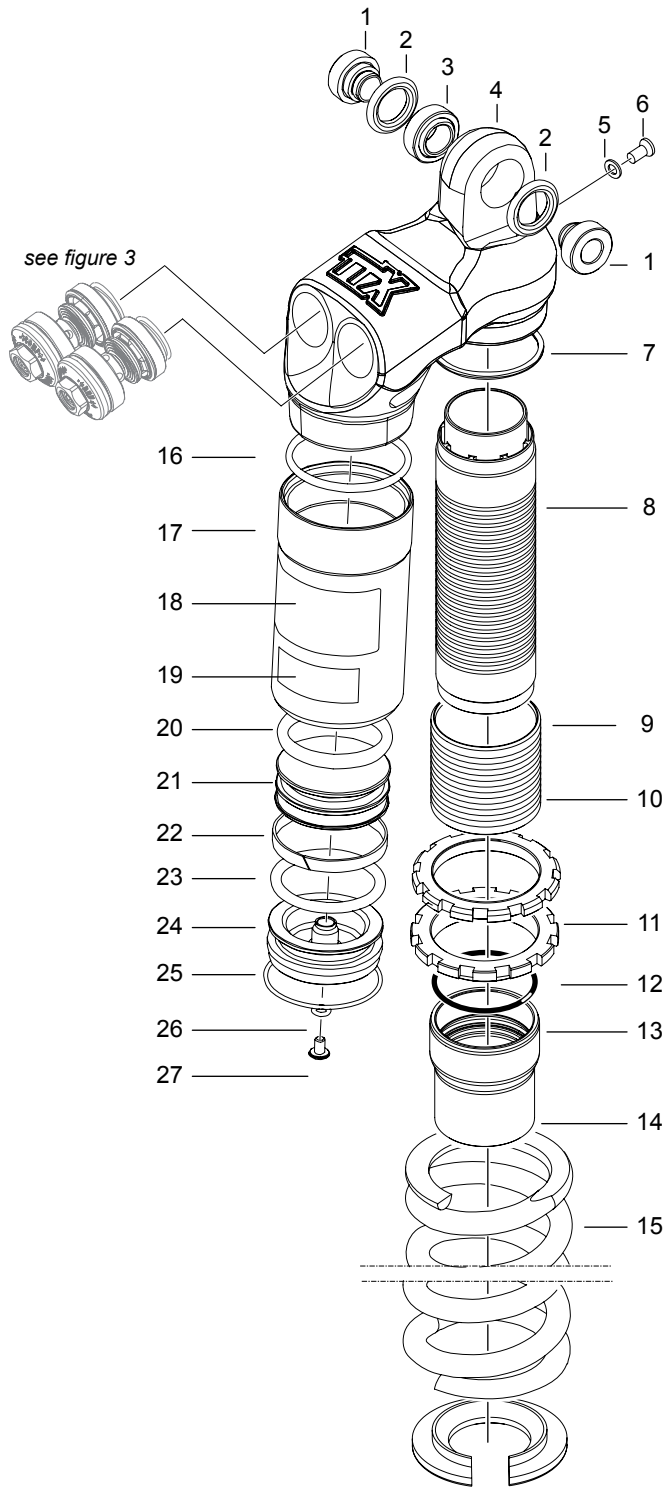
Fig 1 - Shaft assembly 3
 Fig 2 - Cylinder head assembly 4
 Fig 3 - Compression/ Rebound assembly 5

Figure 1 - Shaft Assembly



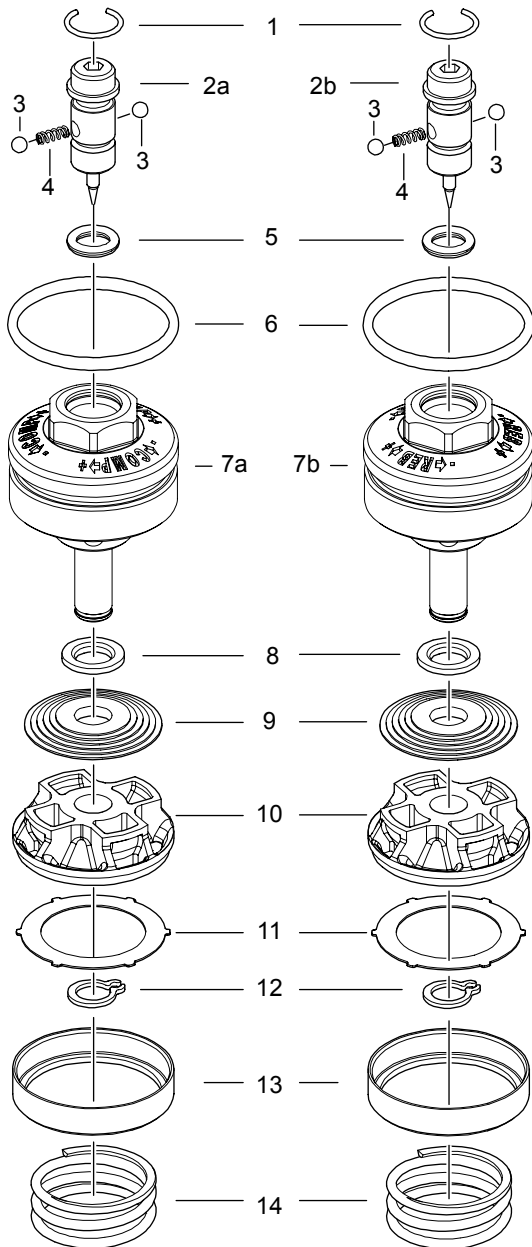
Pos	Part No	Pcs	Description	Notes
1-1	00139-02	1	Nut	
1-2	21018-21	1	Piston ring	
1-3	00638-66	1	O-ring	
1-4	03077-30	1	Piston	
1-5	01132-03	1	Stop washer	
1-6	03145-02	1	Spacer	2mm
1-6	03145-03	3	Spacer	3mm
1-7	00128-01	1	Circlip	
1-8	00133-01	1	Stop rubber	
	00121-01	1	Seal head assy	
1-9	00114-01	1	Seal head	
1-10	00128-01	1	Circlip	
1-11	00338-09	1	O-ring	
1-12	00110-03	1	Bushing	
1-13	00338-08	1	O-ring	
1-14	00117-01	1	Step seal	
1-15	00338-10	1	O-ring	
1-16	00122-01	1	Scraper	
1-17	00338-05	1	O-ring	
1-18	00165-04	1	End cap	
1-19	00102-04	1	Shaft	
1-20	05375-01	1	Bump rubber	
1-21	00116-03	1	Spring clip	
1-22	02118-23	2	Spacer	
1-23	00338-06	2	O-ring	
1-24	00125-06	1	End eye	
1-25	00136-01	1	Ball joint	

Figure 2 - Cylinder Head Assy



Pos	Part No	Pcs	Description	Notes
2-1	02118-23	2	Spacer	
2-2	00338-06	2	O-ring	
2-3	00136-01	1	Ball joint	
2-4	03289-50	1	Cylinder head	
2-5	00438-33	1	Seal washer	
2-6	00382-07	1	Screw	
2-7	00338-02	1	O-ring	
2-8	03038-08	1	Cylinder tube	
2-9	00576-06	1	O-ring	
2-10	03281-02	1	Sleeve	
2-11	00155-02	1	Lock ring	
2-12	00154-02	1	Spring platform	
2-13	00438-98	1	O-ring	
2-14	15007-10	1	Seal head holder	
2-15			Spring	See MI
2-16	00338-24	1	O-ring	
2-17	00302-02	1	Reservoir	
2-18	00191-39	2	Sticker "Öhlins"	
2-19	00196-01	1	Sticker "Warning"	
2-20	00338-26	1	O-ring	
2-21	00305-01	1	Reservoir piston	
2-22	00340-01	1	Teflon band	
2-23	00338-04	1	O-ring	
2-24	00161-03	1	Reservoir top assy	
2-25	00329-01	1	Circlip	
2-26	00338-59	1	O-ring	
2-27	01050-01	1	Screw	

Figure 3 - Compression/Rebound assy



Pos	Part No	Pcs	Description	Notes
3-1	01473-06	2	Circlip	
3-2a	15002-03	1	Adjustment needle	Compression
3-2b	15004-02	1	Adjustment needle	Rebound
3-3	00884-02	4	Ball	
3-4	01474-01	2	Spring	
3-5	00338-79	2	O-ring	
3-6	00438-02	2	O-ring	
3-7a	15006-03	1	End piece adj.	Compression
3-7b	15006-14	1	End piece adj.	Rebound
3-8	-	-	Washer	See spec. card
3-9	-	-	Shims	See spec. card
3-10	21044-31	2	Valve adjuster	
3-11	21045-02	2	Check valve shim	
3-12	05009-06	2	Circlip	
3-13	21047-01	2	Check valve housing	
3-14	21046-15	2	Check valve spring	

Your Öhlins retailer:



Öhlins Racing AB
Box 722
SE-194 27, Upplands Väsby
Sweden

Phone: +46 (0)8 590 025 00
Fax: +46 (0)8 590 025 80
www.ohlins.com



www.ohlins.com