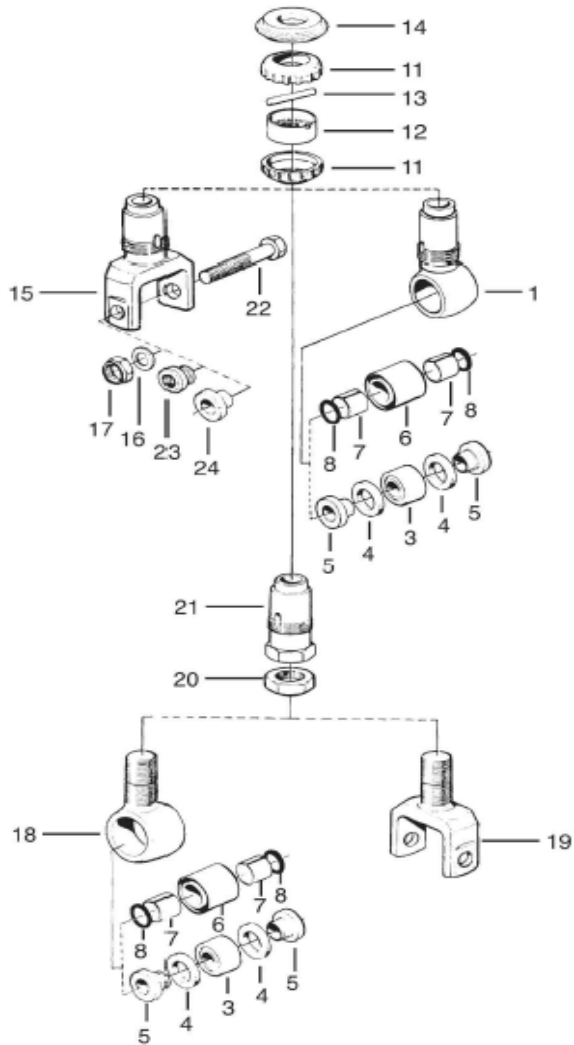
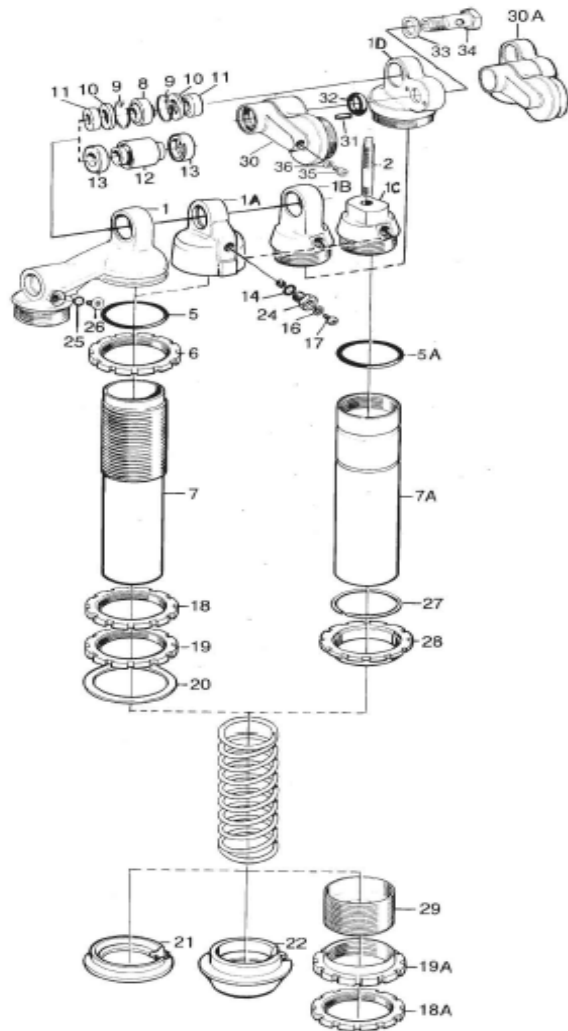


Fig. 01



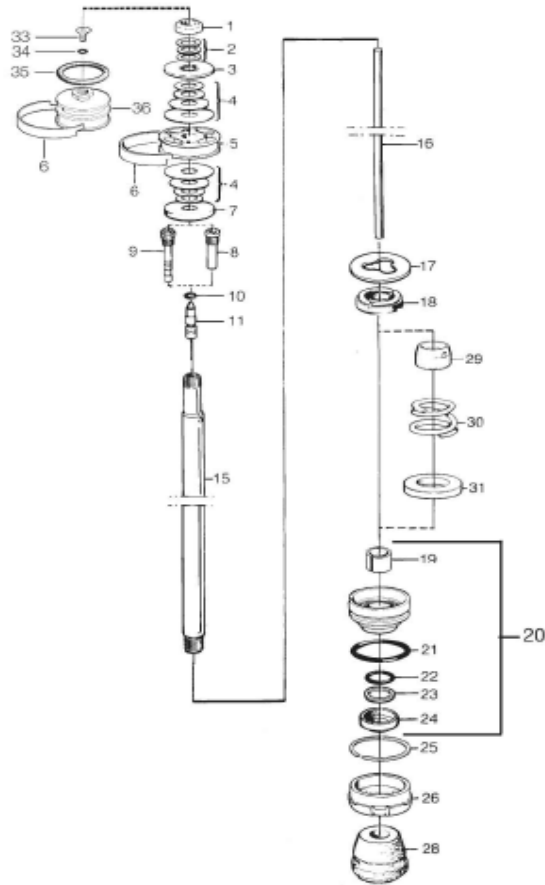
	<i>S46ER1</i>	<i>YAMAHA RD 350</i>	<i>YA 4156</i>
<i>Fig No.</i>	<i>Part No</i>	<i>Description</i>	<i>Qty</i>
End eye			
01-01	01054-01	End eye	1
01-06	01009-01	Rubber bushing	1
01-07	01056-02	Bushing	2
01-11	01016-01	Seal rebound adjuster	2
01-12	01128-01	Adjustment knob	1
01-13	01030-01	Pin	1
01-14	01017-01	Stop washer	1

Fig.02



	S46ER1	YAMAHA RD 350	YA 4156
Fig No.	Part No	Description	Qty
Body tube			
	00191-06	Sticker Öhlins	1
02-00	00196-01	Sticker Warning	1
02-01	00570-01	Cylinder head	1
02-05	00338-37	O-ring	1
02-07	04210-01	Cylinder tube	1
02-12	00809-01	Rubber bushing	1
02-14	00338-07	O-ring	1
02-16	00338-59	O-ring	1
02-17	01050-01	Screw	1
02-18	00532-01	Lock nut	1
02-19	00531-12	Spring platform	1
02-20	00543-01	Washer	1
02-21	00516-01	Spring clip	1
02-24	00603-03	Valve assy	1
	01093-34	Spring	1

Fig. 03



	S46ER1	YAMAHA RD 350	YA 4156
Fig No.	Part No	Description	Qty
Shaft			
03-01	00539-01	Lock nut	1
03-02	00578-01	Washer	5
03-05	00514-06	Piston	1
03-06	00541-01	Piston ring	2
03-07	00519-04	Stop washer	1
03-08	05621-03	Shaft jet bleed	1
03-10	00338-14	O-ring	1
03-11	05655-03	Adjustment needle	1
03-15	05500-05	Shaft	1
03-16	03566-44	Adj.shaft	1
03-17	01069-02	Spacer	2
03-17	01069-03	Spacer	1
03-18	03067-03	Stop rubber	1
	04752-03	Washer	1
03-19	01056-14	Bushing	1
03-20	05129-09	Seal head assy	1
03-21	00338-46	O-ring	1
03-22	04717-03	Seal	1
03-23	01032-23	Back-up ring	1
	04729-04	Shim	1
03-24	01031-02	Scraper	1
03-25	00575-01	Circlip	1
03-26	01065-31	End cap	1
03-28	00563-03	Bump rubber	1