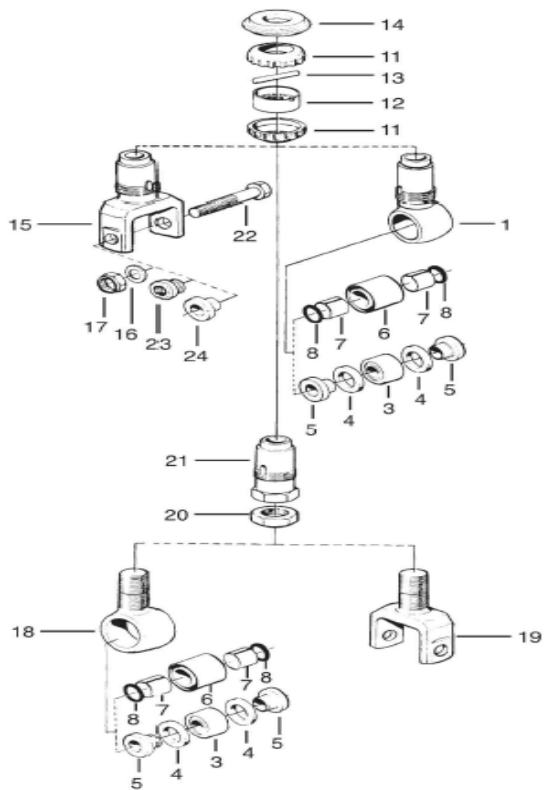
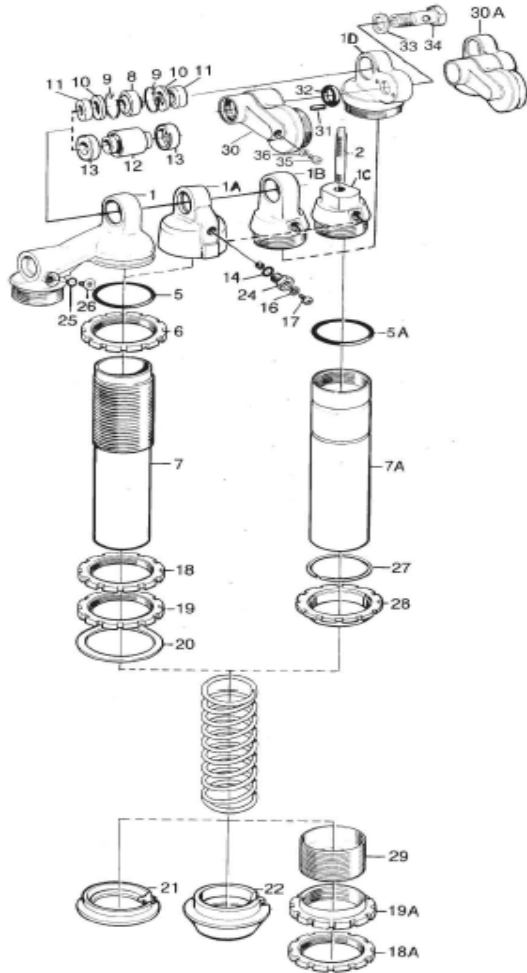


Fig. 01



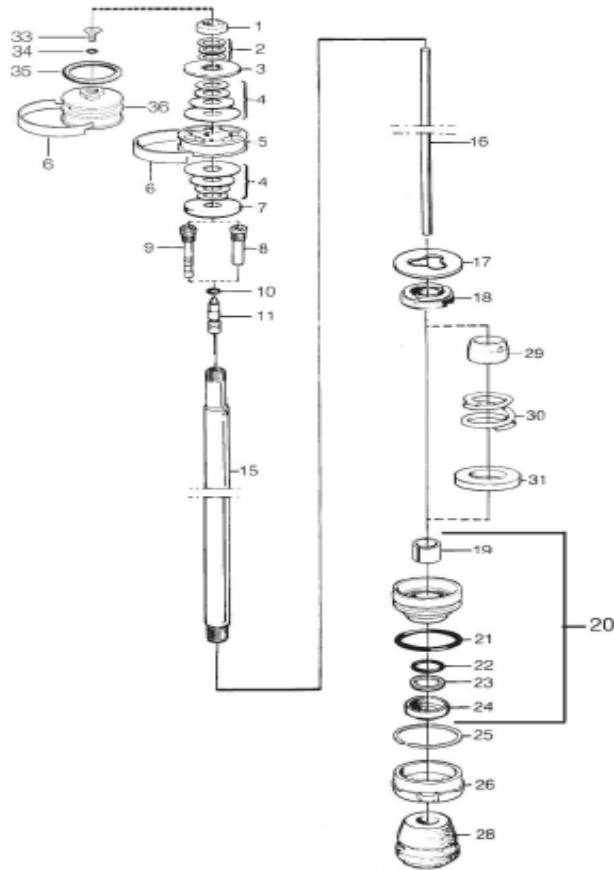
| | S46DR1 | Yamaha FZ 1 | YA 0090 |
|---------|----------|-----------------------|---------|
| Fig No. | Part No | Description | Qty |
| 01-01 | 01054-03 | End eye | 1 |
| 01-03 | 00536-04 | Ball joint | 1 |
| 01-04 | 00534-01 | Seal rebound adjuster | 2 |
| 01-05 | 01218-10 | Spacer | 2 |
| 01-11 | 01016-01 | Seal rebound adjuster | 2 |
| 01-12 | 01128-01 | Adjustment knob | 1 |
| 01-13 | 01030-01 | Pin | 1 |
| 01-14 | 01017-01 | Stop washer | 1 |

Fig.02



| | S46DR1 | Yamaha FZ 1 | YA 0090 |
|------------------|----------|-----------------|---------|
| Fig No. | Part No | Description | Qty |
| Body tube | | | |
| 02-00 | 00191-10 | Sticker Öhlins | 1 |
| 02-00 | 00196-01 | Sticker Varning | 1 |
| 02-01 | 01270-02 | Cylinder head | 1 |
| 02-05 | 00338-32 | O-ring | 1 |
| 02-07 | 04211-11 | Cylinder tube | 1 |
| 02-08 | 00536-04 | Ball joint | 1 |
| 02-10 | 00534-01 | Seal | 2 |
| 02-11 | 01218-12 | Spacer | 2 |
| 02-14 | 00338-07 | O-ring | 1 |
| 02-16 | 00338-59 | O-ring | 1 |
| 02-17 | 01050-01 | Screw | 1 |
| 02-18 | 00532-01 | Lock nut | 1 |
| 02-19 | 00531-06 | Spring platform | 1 |
| 02-20 | 00543-01 | Washer | 1 |
| 02-21 | 00516-01 | Spring clip | 1 |
| 02-24 | 00603-03 | Valve assy | 1 |
| | 01095-44 | Spring | 1 |

Fig. 03



| | S46DR1 | Yamaha FZ 1 | YA 0090 |
|--------------|----------|-------------------|---------|
| Fig No. | Part No | Description | Qty |
| Shaft | | | |
| 03-01 | 00539-01 | Lock nut | 1 |
| 03-02 | 00578-01 | Washer | 1 |
| 03-03 | 00519-05 | Stop washer | 1 |
| 03-05 | 03366-01 | Piston | 1 |
| 03-06 | 00541-01 | Piston ring | 2 |
| 03-07 | 00519-04 | Stop washer | 1 |
| 03-09 | 05621-04 | Valve | 1 |
| 03-10 | 00338-14 | O-ring | 1 |
| 03-11 | 05655-04 | Adjustment needle | 1 |
| 03-15 | 05500-06 | Shaft | 1 |
| 03-16 | 00566-84 | Adj.shaft | 1 |
| 03-17 | 01069-02 | Spacer | 2 |
| 03-18 | 05115-01 | Stop rubber | 1 |
| 03-19 | 01056-13 | Bushing | 1 |
| 03-20 | 05129-04 | Seal head assy | 1 |
| 03-21 | 00576-01 | O-ring | 1 |
| 03-22 | 01027-01 | X-ring | 1 |
| 03-23 | 01032-01 | Back-up ring | 1 |
| 03-24 | 01031-02 | Scraper | 1 |
| 03-25 | 00575-01 | Circlip | 1 |
| 03-26 | 01065-01 | End cap | 1 |
| 03-28 | 00563-03 | Bump rubber | 1 |
| 03-33 | 00382-01 | Screw | 1 |
| 03-34 | 00338-01 | O-ring | 1 |
| 03-35 | 00338-13 | O-ring | 1 |
| 03-36 | 01005-01 | Piston | 1 |