

Shock Absorber Kawasaki GTR 1400

KA 1090


Spare Parts List




Safety Precautions

Note!


The shock absorber is a very important part of the vehicle and will therefore affect the stability of the vehicle.


 Read and make sure that you understand the information in this manual and the mounting instructions before you use this product. If you have any questions regarding installation or maintenance please contact your nearest Öhlins dealer.

 Öhlins Racing AB can not be held responsible for any damage to the shock absorber, vehicle, other property or injury to persons, if the instructions for installing and maintenance are not followed exactly.

Warning!


This product was developed and designed exclusively for a specific vehicle model and should only be installed on the intended vehicle model in its original condition as delivered from the vehicle manufacturer.

 This product contains pressurized nitrogen gas (N₂). Do not open, service or modify this product without proper education (authorized Öhlins dealer/distributor) or proper tools.

 After installing this product, take a test ride at low speed to make sure that your vehicle has maintained its stability.

Note!

When working on this product, always consult your Vehicle Service Manual.

 This Manual should be considered as a part of the product and should therefore accompany the product throughout its life cycle.

Safety Symbols

In this manual, mounting instructions and other technical documents, important information concerning safety is distinguished by the following symbols:



The Safety Alert Symbol means: Warning! Your safety is involved.

Warning!

The Warning Symbol means: Failure to follow warning instructions can result in severe or fatal injury to anyone working with, inspecting or using the shock absorber, or to bystanders.

Caution!

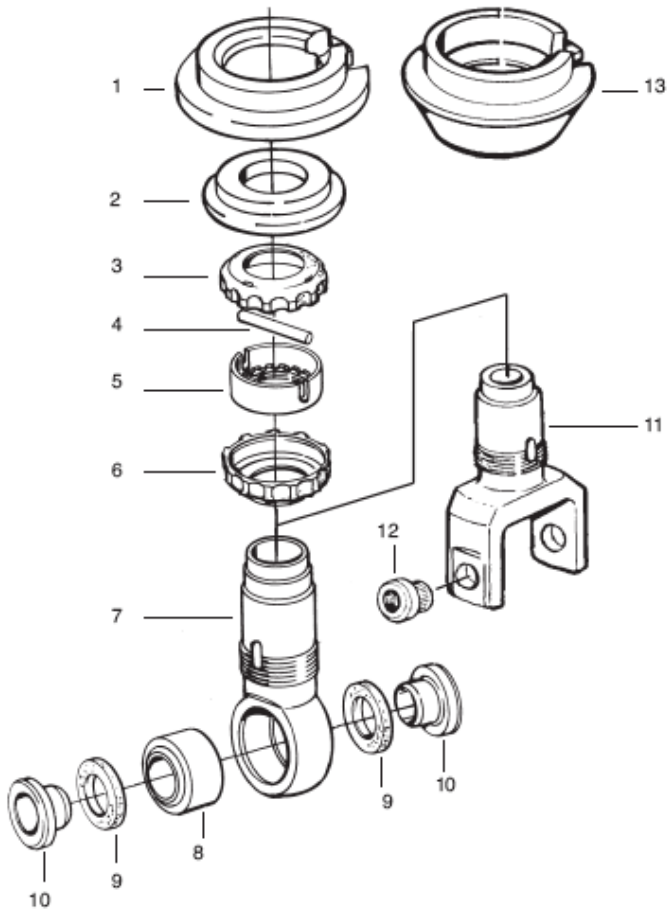
The Caution Symbol means: Special precautions must be taken to avoid damage to the shock absorber.

Note!

The Note Symbol indicates information that is important regarding procedures.

© Öhlins Racing AB. All rights reserved. Any reprinting or unauthorized use without the written permission of Öhlins Racing AB is prohibited.
Printed in Sweden.

Fig.1 End eye

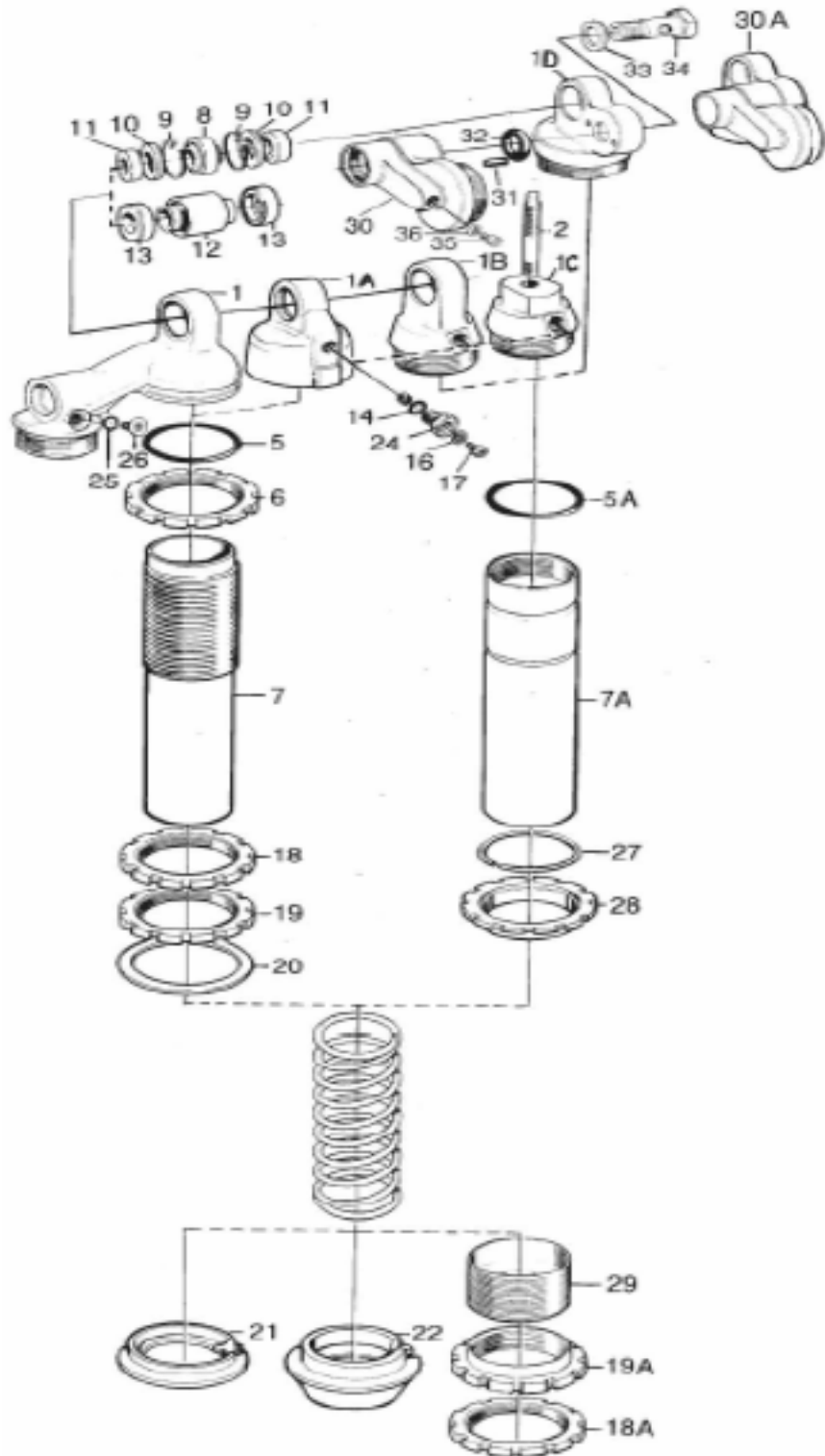


| Pos | Part No | Pcs | Description | Notes |
|-----|----------|-----|-------------|-------|
| 1-1 | 01286-01 | 1 | Spring clip | |
| 1-2 | 01017-01 | 1 | Stop washer | |
| 1-3 | 01016-01 | 1 | Seal | |
| 1-4 | 01030-01 | 1 | Pin | |
| 1-5 | 01128-01 | 1 | Adj. wheel | |
| 1-6 | 01016-01 | 1 | Seal | |
| 1-7 | 01052-38 | 1 | End bracket | |

SPARE PARTS LIST KA 1090

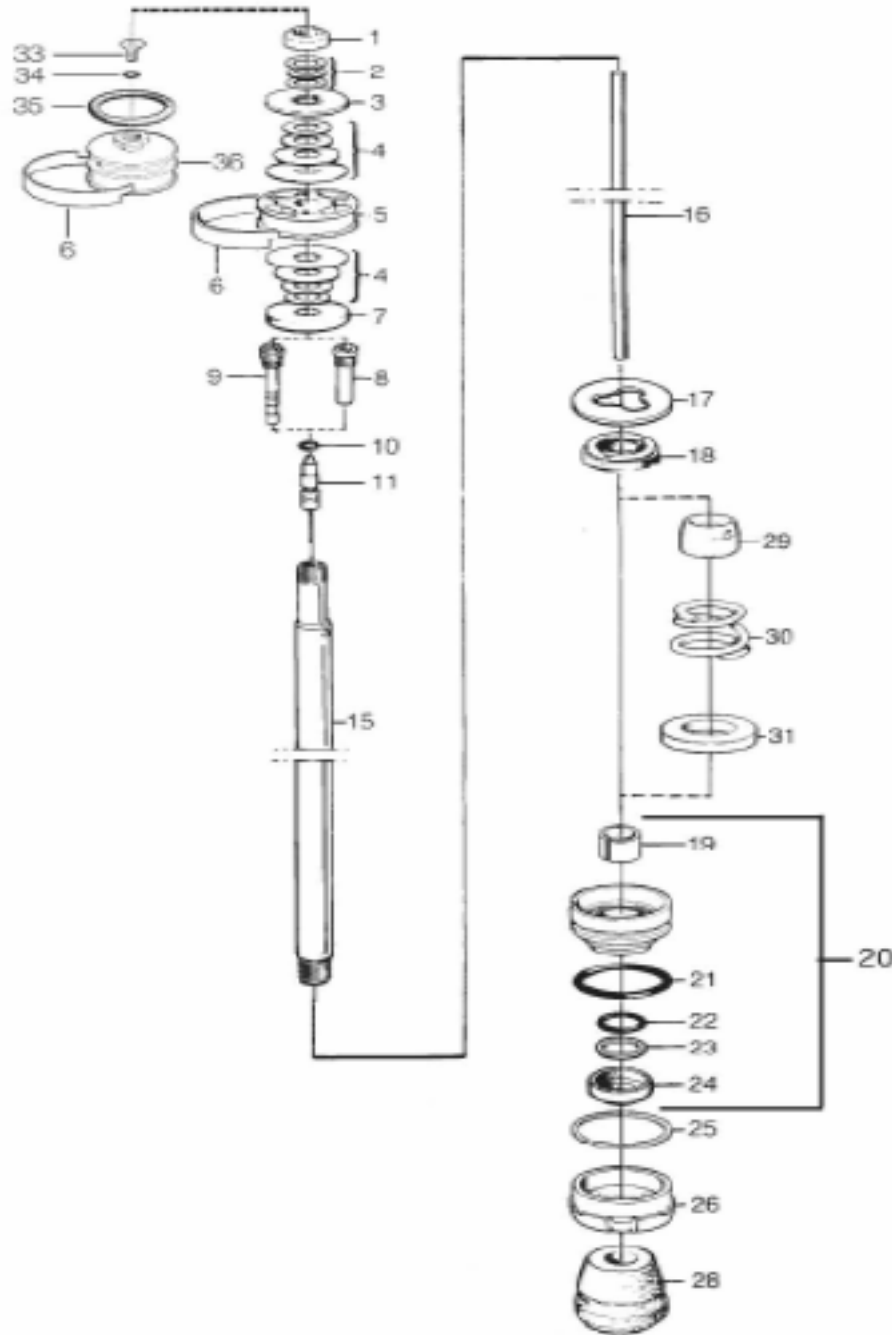
| Pos | Part No. | Pcs | Description | Type/Remarks |
|------|----------|-----|---------------|--------------|
| 2-1 | 03103-08 | 1 | Cylinder head | |
| 2-5 | 00338-37 | 1 | O-ring | |
| 2-7 | 04210-52 | 1 | Cylinder tube | |
| 2-8 | 00536-04 | 1 | Ball joint | |
| 2-10 | 00534-01 | 2 | Seal | |
| 2-11 | 01218-12 | 2 | Spacer | |
| 2-20 | 00543-01 | 1 | Washer | |
| 2-25 | 00438-33 | 1 | O-ring | |
| 2-26 | 00382-07 | 1 | Screw | |
| | 01095-49 | 1 | Spring | |

Fig.2 Cylinder head/tube



Shaft assy

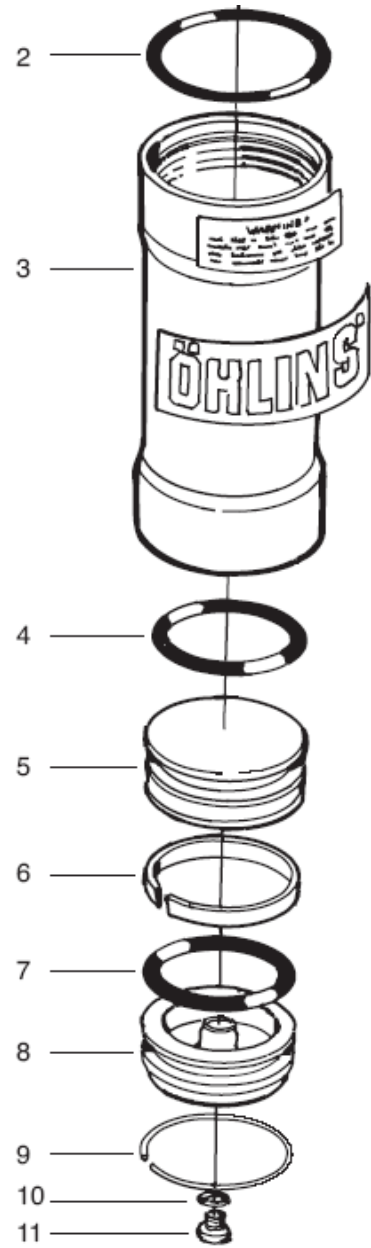
Fig.3



| Pos | Part No. | Pcs | Description | Type/Remarks |
|------|----------|-----|---------------------|--------------|
| 3-1 | 00539-01 | 1 | Lock nut | |
| 3-2 | 00578-01 | 3 | Washer | |
| 3-3 | 00519-07 | 1 | Valve stop | |
| 3-4 | | | Shims See spec.card | |
| 3-5 | 01114-14 | 1 | Piston | |
| 3-6 | 00541-01 | 1 | Piston ring | |
| 3-7 | 00519-04 | 1 | Valve stop | |
| 3-8 | 05666-18 | 1 | Shaft jet | |
| 3-10 | 00338-14 | 1 | O-ring | |
| 3-11 | 05655-03 | 1 | Adjustment needle | |
| 3-15 | 05500-19 | 1 | Shaft | |
| 3-16 | 00566-35 | 1 | Adjustment shaft | |
| 3-17 | 01069-03 | 1 | Spacer | |
| 3-17 | 01069-10 | 1 | Spacer | |
| 3-18 | 03067-03 | 1 | Stop rubber | |
| 3-19 | 01056-14 | 1 | Bushing | |
| 3-20 | 05129-09 | 1 | Seal head assy | |
| 3-21 | 00338-46 | 1 | O-ring | |
| 3-22 | 04717-03 | 1 | Seal | |
| 3-23 | 01032-23 | 1 | Back up ring | |
| | 04729-04 | 1 | Shim | |
| 3-24 | 01031-02 | 1 | Scraper | |
| 3-25 | 00575-01 | 1 | Circlip | |
| 3-26 | 01065-31 | 1 | End cap | |
| 3-28 | 00563-03 | 1 | Bump rubber | |
| 3-31 | 04752-03 | 1 | Washer | |

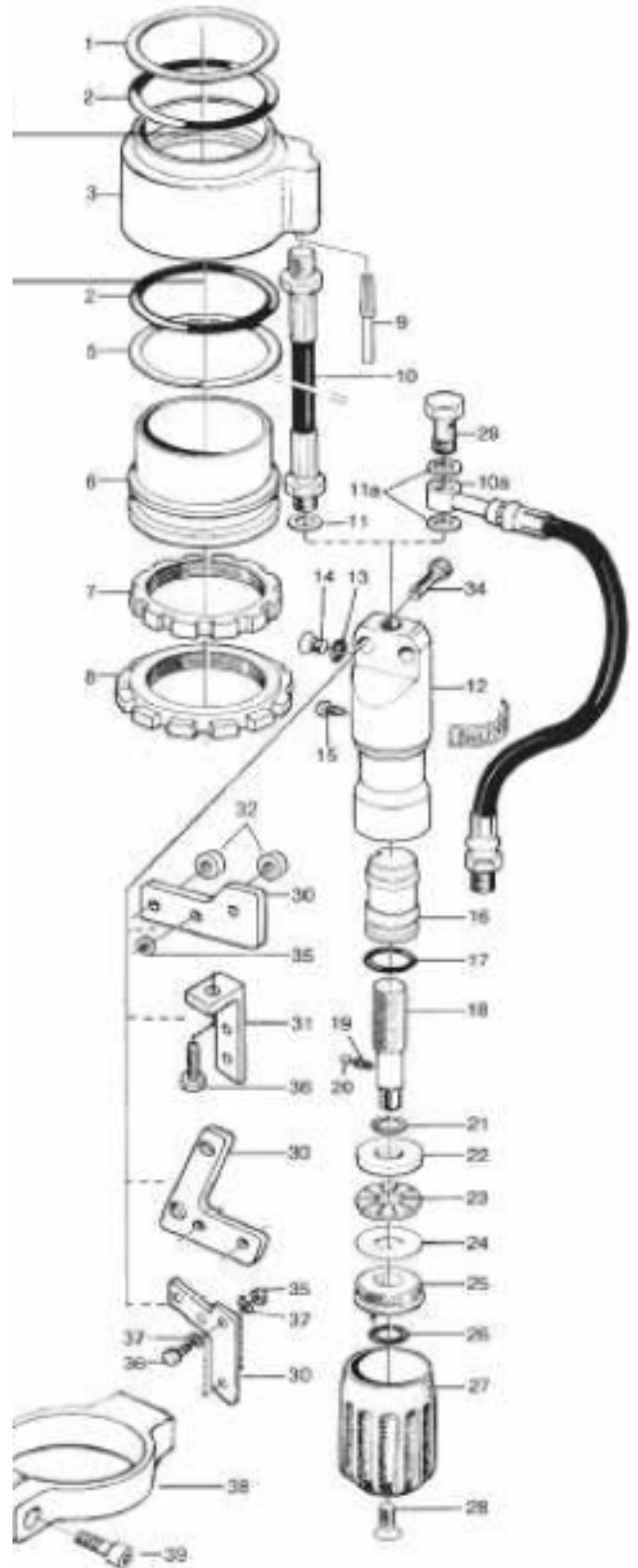
| Pos | Part No. | Pcs | Description |
|------|----------|-----|--------------------|
| 4-0 | 00191-02 | 1 | Sticker "Öhlins" |
| 4-0 | 00196-01 | 1 | Sticker "Warning" |
| 4-2 | 00438-26 | 1 | O-ring |
| 4-3 | 00403-01 | 1 | Reservoir |
| 4-4 | 00438-27 | 1 | O-ring |
| 4-5 | 00405-01 | 1 | Reservoir piston |
| 4-6 | 00340-03 | 1 | Teflon band |
| 4-7 | 00438-27 | 1 | O-ring |
| 4-8 | 00161-04 | 1 | Reservoir top assy |
| 4-9 | 00329-04 | 1 | Circlip |
| 4-10 | 00338-59 | 1 | O-ring |
| 4-11 | 01050-01 | 1 | Screw |

Fig.5 Reservoir/Hose



| Pos | Part No. | Pcs | Description | Type/Remarks |
|------|----------|-----|-----------------------|--------------|
| 6-0 | 00191-06 | 1 | Sticker "Öhlins" | |
| 6-1 | 03611-01 | 1 | Support ring | |
| 6-2 | 00338-90 | 2 | O-ring | |
| 6-3 | 03607-01 | 1 | Preload housing | |
| 6-5 | 03610-01 | 1 | Support ring | |
| 6-6 | 03606-01 | 1 | Inner sleeve | |
| 6-7 | 03609-01 | 1 | Lock nut | |
| 6-8 | 03608-01 | 1 | Guide nut | |
| 6-9 | 03613-01 | 1 | Pin | |
| 6-10 | 01042-12 | 1 | Hose | |
| 6-11 | 01048-01 | 2 | Seal washer | |
| 6-12 | 03600-02 | 1 | Adj. cylinder | |
| 6-13 | 00338-79 | 1 | O-ring | |
| 6-14 | 00382-07 | 1 | Screw | |
| 6-15 | 03601-02 | 1 | Guide screw | |
| | 03614-01 | 1 | Seal washer | |
| 6-16 | 03604-02 | 1 | Piston | |
| 6-17 | 00338-71 | 1 | O-ring | |
| 6-18 | 03602-02 | 1 | Adj. screw | |
| 6-19 | 03083-01 | 1 | Spring | |
| 6-20 | 00884-03 | 1 | Ball | |
| 6-21 | 00131-03 | 1 | Circlip | |
| 6-22 | 03072-02 | 1 | Thrust washer | |
| 6-23 | 01023-02 | 1 | Thrust needle bearing | |
| 6-24 | 03073-02 | 1 | Thrust washer | |
| 6-25 | 03603-01 | 1 | Cover | |
| 6-26 | 00338-88 | 1 | O-ring | |
| 6-27 | 03605-01 | 1 | Knob | |
| 6-28 | 00382-08 | 1 | Screw | |
| 6-29 | 00831-02 | 1 | Banjo bolt | |
| 6-30 | 01164-03 | 1 | Bracket | |
| 6-34 | 05404-07 | 2 | Screw 6x30 | |
| 6-35 | 00430-02 | 2 | Nut M6 | |
| 6-37 | 00153-04 | 4 | Washer 6mm | |
| | 01046-36 | 2 | Screw M6x12 | |

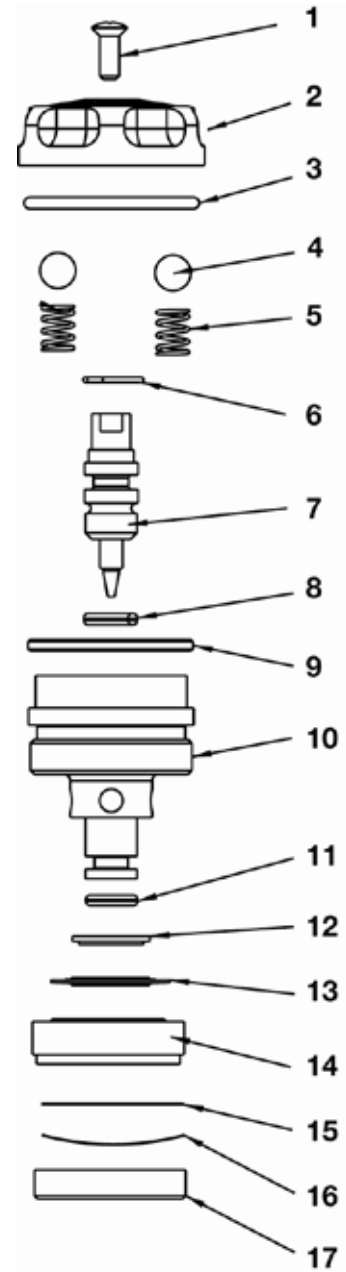
Fig.6 Preload housing assy



| Pos | Part No. | Pcs | Description | Type/Remarks |
|------|----------|-----|--------------------------|--------------|
| 7-1 | 00828-01 | 1 | Screw | |
| 7-2 | 00820-02 | 1 | Knob adj. comp. | |
| 7-4 | 00884-07 | 2 | Ball | |
| 7-5 | 00833-01 | 2 | Spring | |
| 7-6 | 01473-06 | 1 | Circlip | |
| 7-7 | 01242-06 | 1 | Adjustment needle | |
| 7-8 | 00338-79 | 1 | O-ring | |
| 7-9 | 00338-27 | 1 | O-ring | |
| 7-10 | 01243-07 | 1 | End piece | |
| 7-11 | 00577-01 | 1 | O-ring | |
| 7-12 | 00641-05 | 1 | Washer | |
| 7-13 | | | Shim stack see spec.card | |
| 7-14 | 01244-05 | 1 | Valve | |
| 7-15 | 01245-01 | 1 | Check valve shim | |
| 7-16 | 01246-01 | 1 | Wave washer | |
| 7-17 | 01247-01 | 1 | Check valve housing | |

Fig.7

Comp. adjuster



Your Öhlins retailer:



Öhlins Racing AB
Box 722
SE-194 27, Upplands Väsby
Sweden

Phone: +46 (0)8 590 025 00
Fax: +46 (0)8 590 025 80
www.ohlins.com



www.ohlins.com