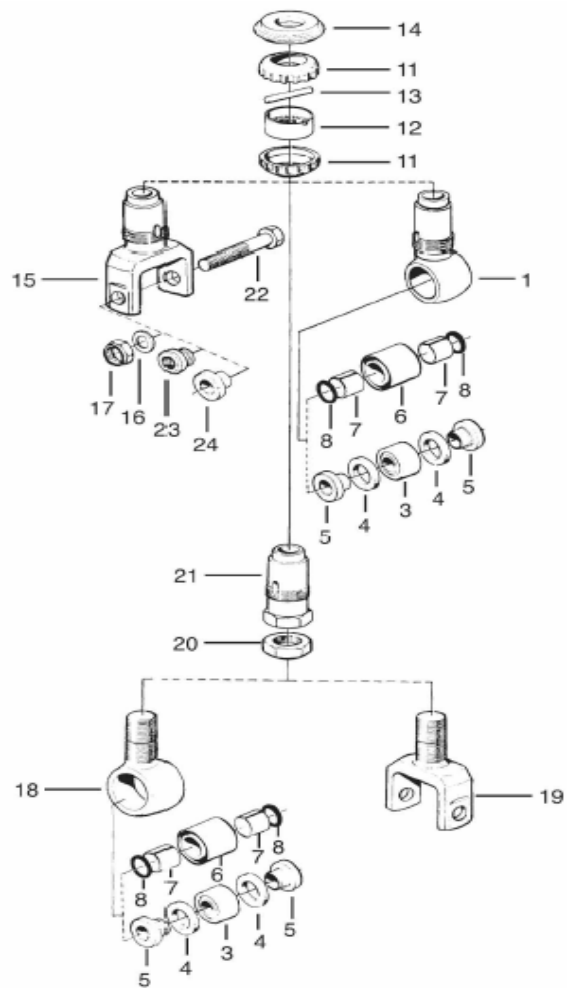
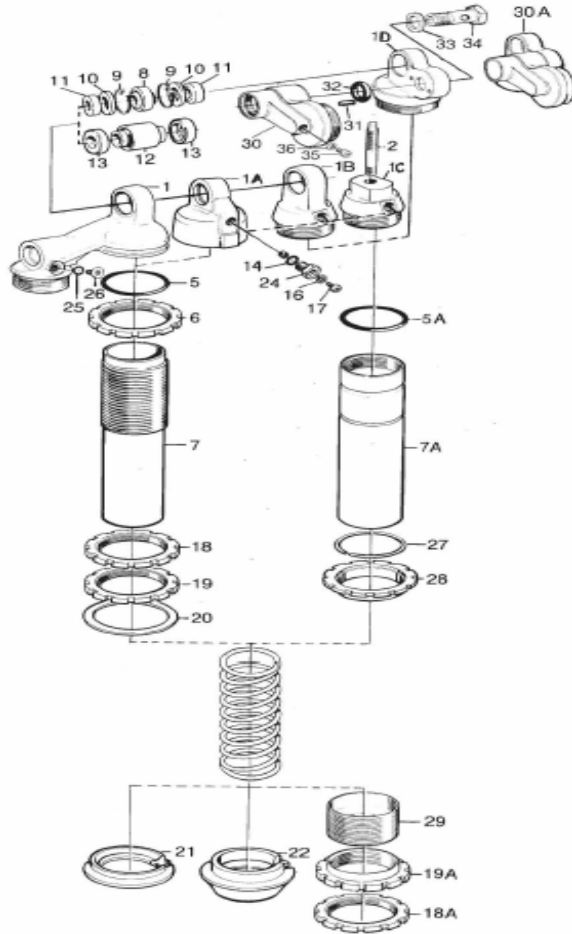


Fig.01



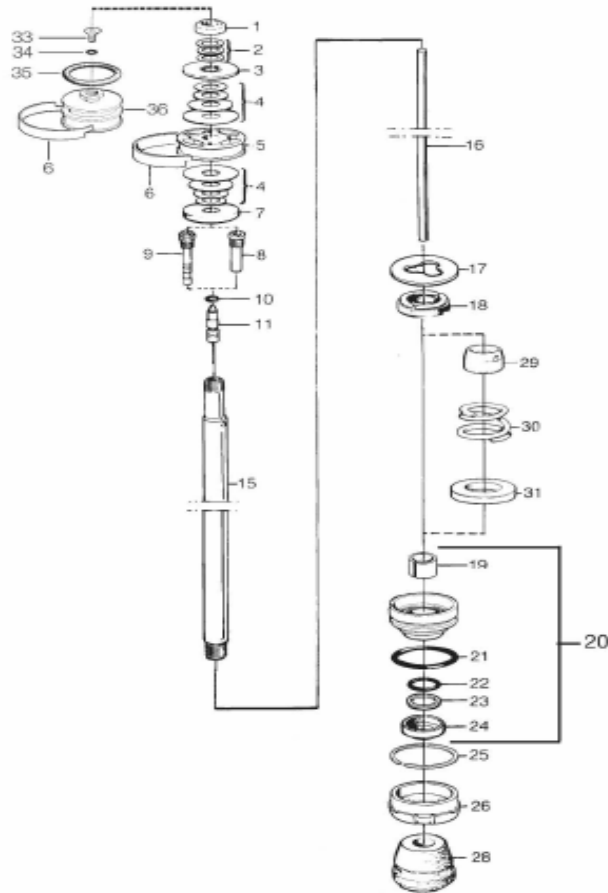
	S46PR1C1L	DUCATI MH 900e	DU 106
Fig No.	Part No	Description	Qty
End eye			
01-03	00536-04	Ball joint	1
01-04	00534-01	Seal	2
01-05	01018-45	Spacer	2
01-11	01016-01	Seal rebound adjuster	2
01-12	01128-01	Adjustment knob	1
01-13	01030-01	Pin	1
01-14	01017-01	Stop washer	1
01-18	03110-01	End eye	1
01-20	01059-01	Nut	1
01-21	03109-01	Shaft extension	1

Fig.02



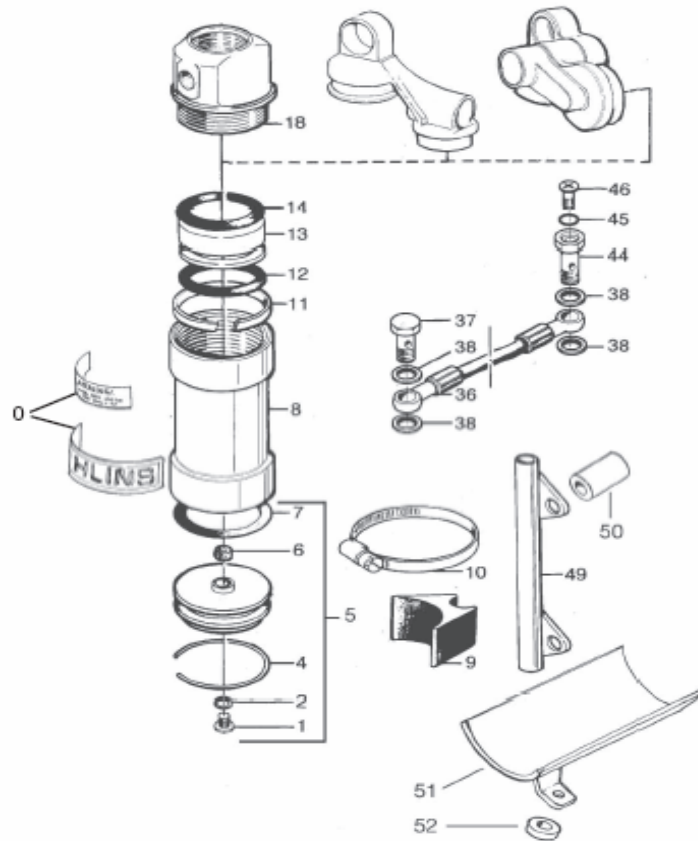
	S46PR1C1L	DUCATI MH 900e	DU 106
Fig No.	Part No	Description	Qty
Body tube			
02-01	00890-56	Cylinder head	1
02-05	00338-37	O-ring	1
02-07	04210-57	Cylinder tube	1
02-08	00536-04	Ball joint	1
02-09	00557-01	Circlip	2
02-10	00534-01	Seal ball joint	2
02-11	01018-45	Spacer, ball joint	2
02-18	00532-01	Lock nut	1
02-19	00531-06	Spring platform	1
02-20	00543-01	Washer	1
02-21	00516-01	Spring clip	1
02-35	00382-07	Screw	1
02-36	00438-33	O-ring	1
	01092-04	Spring	1

Fig.03

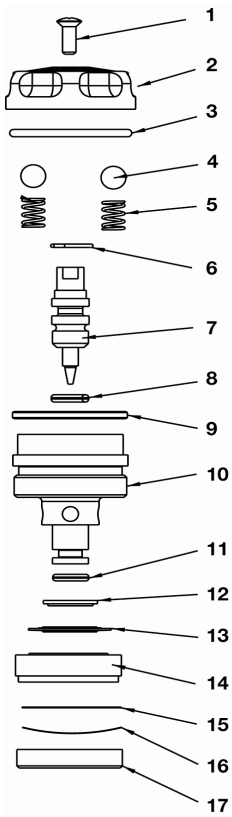


	S46PR1C1L	DUCATI MH 900e	DU 106
Fig No.	Part No	Description	Qty
Shaft			
03-01	00539-01	Lock nut	1
03-02	00578-01	Washer	5
03-03	00519-05	Stop washer	1
03-04		Shimstack see spec.card	
03-05	01114-14	Piston	1
03-06	00541-01	Piston ring	1
03-07	00519-04	Stop washer	1
03-09	05621-03	Valve	1
03-10	00338-14	O-ring	1
03-11	05655-03	Adjustment needle	1
03-15	05500-08	Shaft	1
03-16	00566-59	Adj.shaft	1
03-17	01069-02	Spacer	1
03-17	01069-03	Spacer	1
03-20	05129-04	Seal head assy	1
03-21	00576-01	O-ring	1
03-22	01027-01	X-ring	1
03-23	01032-01	Back-up ring	1
03-24	01031-02	Scraper	1
03-25	00575-01	Circlip	1
03-26	01065-01	End cap	1
03-28	00563-03	Bump rubber	1

Fig.04



	S46PR1C1L	DUCATI MH 900e	DU 106
Fig No.	Part No	Description	Qty
Reservoir			
04-00	00191-08	Sticker "ÖHLINS" blue/transp	1
04-00	00196-01	Sticker "Warning"black/transp 17x53	1
04-01	01050-01	Screw	1
04-02	00338-59	O-ring	1
04-04	00329-01	Circlip	1
04-05	00161-03	Reservoir top assy	1
04-07	00338-04	O-ring	1
04-08	00302-01	Reservoir	1
04-11	00340-01	Teflon band	1
04-12	00338-26	O-ring	1
04-13	00305-01	Reservoir piston	1
04-14	00338-24	O-ring	1



01249-14	S46PR1C1L	DUCATI MH 900e	DU 106
Fig no.	Part no.	Description	Qty
Comp valve			
05-01	00828-01	Screw	1
05-02	00820-02	Knob compression adjuster	1
05-04	00884-07	Ball	2
05-05	00833-01	Spring	2
05-06	01473-06	Circlip	1
05-07	01242-06	Needle	1
05-08	00338-79	O-ring	1
05-09	00338-27	O-ring	1
05-10	01243-07	End piece	1
05-11	00577-01	O-ring	1
05-12	00641-05	Washer	1
05-13		Shim stack	1
05-14	01244-05	Valve	1
05-15	01245-01	Check valve	1
05-16	01246-01	Wave washer	1
05-17	01247-01	Check valve housing	1