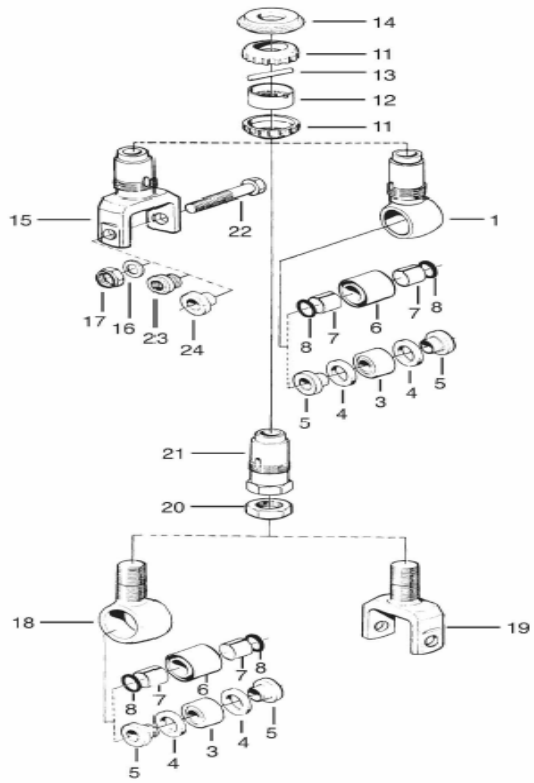
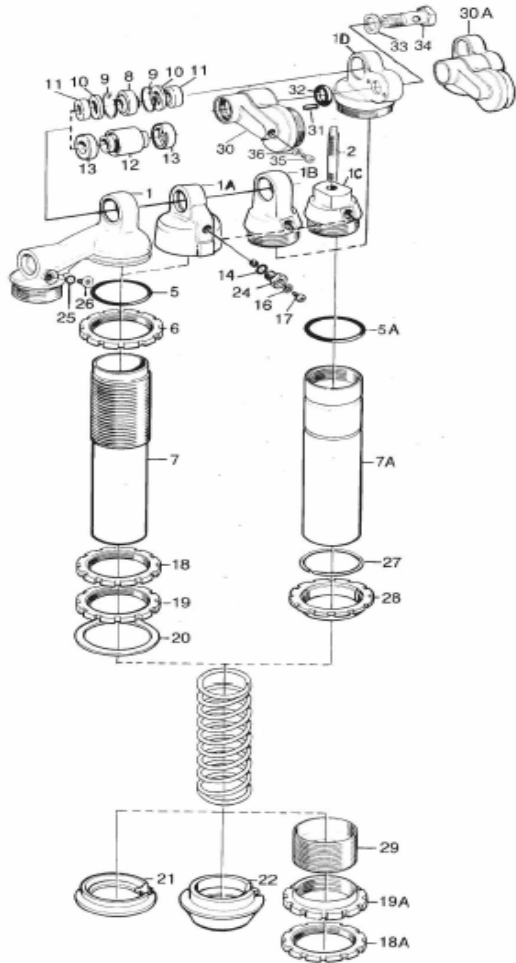


Fig. 01



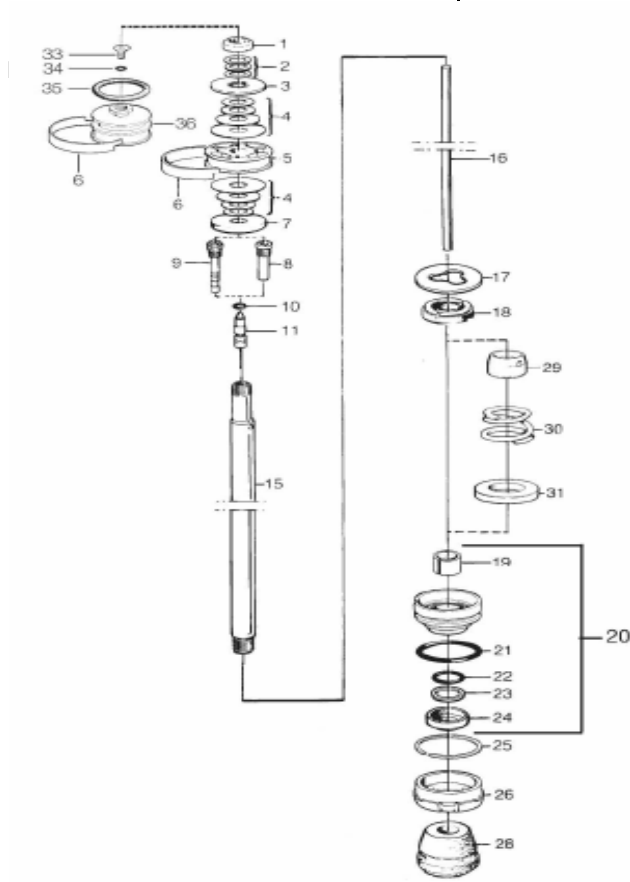
		46DR1S	
		BMW K 1200 LT	
		BM 539	
Fig No.	Part No	Description	Qty
01-11	01016-01	Seal rebound adjuster	2
01-12	01128-01	Adjustment knob	1
01-13	01030-01	Pin	1
01-14	01017-01	Stop washer	1
01-15	01052-29	End eye	1

Fig.02



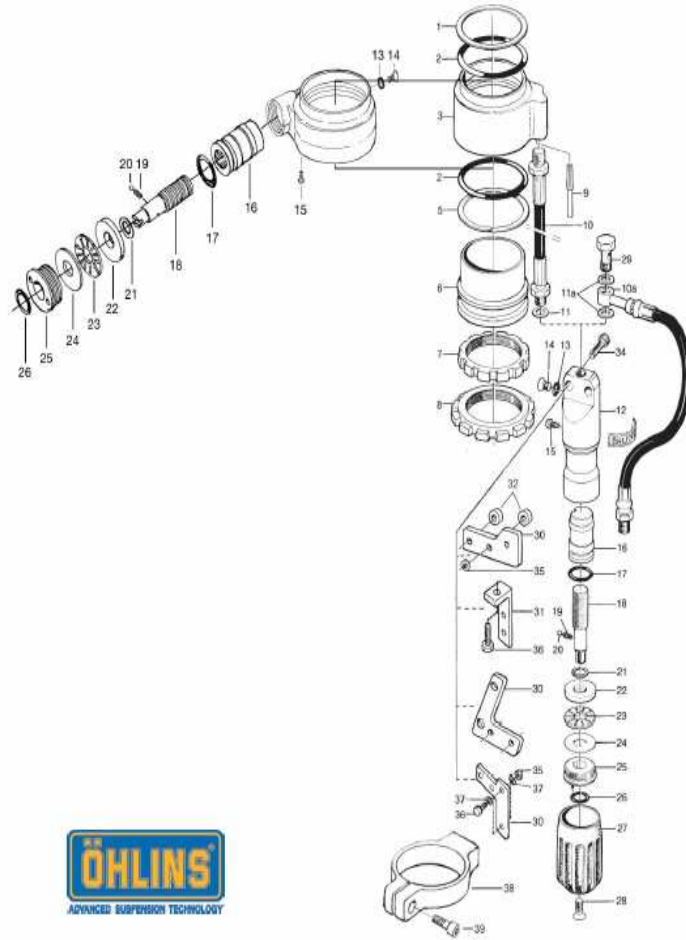
		46DR1S	
		BMW K 1200 LT	
		BM 539	
Fig No.	Part No	Description	Qty
Body tube			
02-01B	01282-03	Cylinder head	1
02-05A	00338-32	O-ring	1
02-07A	04211-34	Cylinder tube	1
02-08	00536-04	Ball joint	1
02-10	00534-01	Seal	2
02-11	01218-46	Spacer	2
02-14	00338-07	O-ring	1
02-16	00338-59	O-ring	1
02-17	01050-01	Screw	1
02-20	00543-01	Washer	1
02-21	00516-01	Spring clip	1
02-24	00603-03	Valve assy	1
	01099-74	Spring	1
	00196-01	Sticker Varning	1
	00191-06	Sticker Ohlins	1

Fig. 03



		46DR1S	
		BMW K 1200 LT	
		BM 539	
Fig No.	Part No	Description	Qty
Shaft			
03-01	00539-01	Lock nut	1
03-02	00578-01	Washer	4
03-03	00519-07	Stop washer	1
03-05	01114-14	Piston	1
03-06	00541-01	Piston ring	2
03-07	00519-04	Stop washer	1
03-09	05665-18	Valve assy	1
03-10	00338-14	O-ring	1
03-11	05655-04	Adjustment needle	1
03-15	05500-05	Shaft	1
03-16	00566-66	Adj.shaft	1
03-17	01069-02	Spacer	1
03-17	01069-03	Spacer	1
03-18	05115-01	Stop rubber	1
03-19	01056-13	Bushing	1
03-20	05129-04	Seal head assy	1
03-21	00576-01	O-ring	1
03-22	01027-01	X-ring	1
03-23	01032-01	Back-up ring	1
03-24	01031-02	Scraper	1
03-25	00575-01	Circlip	1
03-26	01065-02	End cap	1
03-28	00563-03	Bump rubber	1
03-33	00382-01	Screw	1
03-34	00338-01	O-ring	1
03-35	00338-13	O-ring	1
03-36	01005-01	Piston	1

Fig.06



BMW K 1200 LT			46DR1S
			BM 539
Fig No.	Part No	Description	Qty
Preload adj.			
06-01	03611-01	Support ring	1
06-02	00338-90	O-ring	2
06-03	03607-01	Preload housing	1
06-05	03610-01	Support ring	1
06-06	03606-01	Inner sleeve	1
06-07	03609-01	Lock nut	1
06-08	03608-01	Guide nut	1
06-09	03613-01	Pin	1
06-10	01042-11	Hose	1
06-11a	01048-01	Seal washer	2
06-12	03600-02	Adj.cylinder	1
06-13	00338-79	O-ring	1
06-14	00382-07	Screw	1
06-15	03601-02	Guide screw	1
	03614-01	Seal washer for guide screw	1
06-16	03604-02	Piston	1
06-17	00338-71	O-ring	1
06-18	03602-02	Adj. screw	1
06-19	03083-01	Spring	1
06-20	00884-03	Ball	1
06-21	00131-03	Circlip	1
06-22	03072-02	Thrust washer thick	1
06-23	01023-02	Thrust needle bearing	1
06-24	03073-02	Thrust washer thin	1
06-25	03603-01	Cover	1
06-26	00338-88	O-ring	1
06-27	03605-01	Adjustment wheel preload.clear	1
06-28	00382-08	Screw	1
06-29	00831-02	Banjo bolt	1
06-30	01165-07	Bracket hyd. p-l adj.	1
06-32	00430-02	Nut	2
06-34	05404-06	Screw M6x25	2
06-37	00153-04	Washer	2