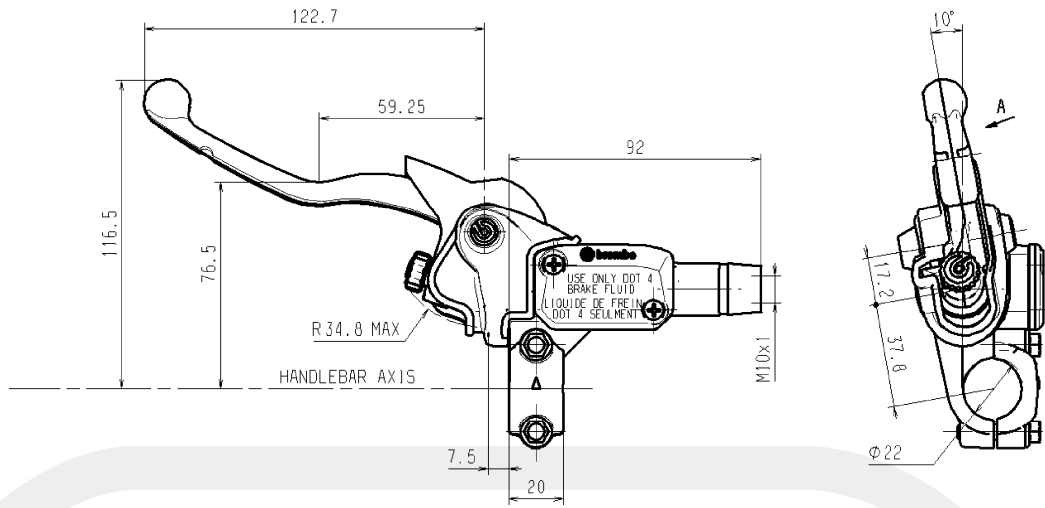


	FRONT CLUTCH MASTER CYLINDER	PS 10/18
		10.9203.15



Note: Lever dimensions refer to view from A

DESCRIPTION

Front master cylinder with incorporated reservoir.
Construction material: aluminium alloy.
Operating fluid: brake fluid DOT 3 - DOT 4.

Master cylinder BODY color: anodic oxidation black colour
Master cylinder LEVER color: polished

TECHNICAL CHARACTERISTICS

Piston diameter: 10 mm
Weight: 0.32 kg
Usable reservoir volume: 7 cm³
Maximum volume increase for clutch wear: 1.8 cm³

AVAILABLE SPARE PARTS

SPARE PARTS PUMP CODE	LEVER	CLAMP	CAP	LEVER PIN	PISTON
10.9203.15	110.2706.09	110.4372.27	110.2704.78	105.5474.80	110.4623.98
	DUST COVER	ANTI-BUBBLE	ROD	SPRING GUIDE	
	110.3530.60	110.4771.10	110.4266.28	110.4265.05	

BEWARE: SPARE PISTON AVAILABLE ONLY FOR ALLOWED CUSTOMERS

Indicating informations subject to modification.
For further specifications contact Technical Section.

LAST UPDATE: 10/02/05