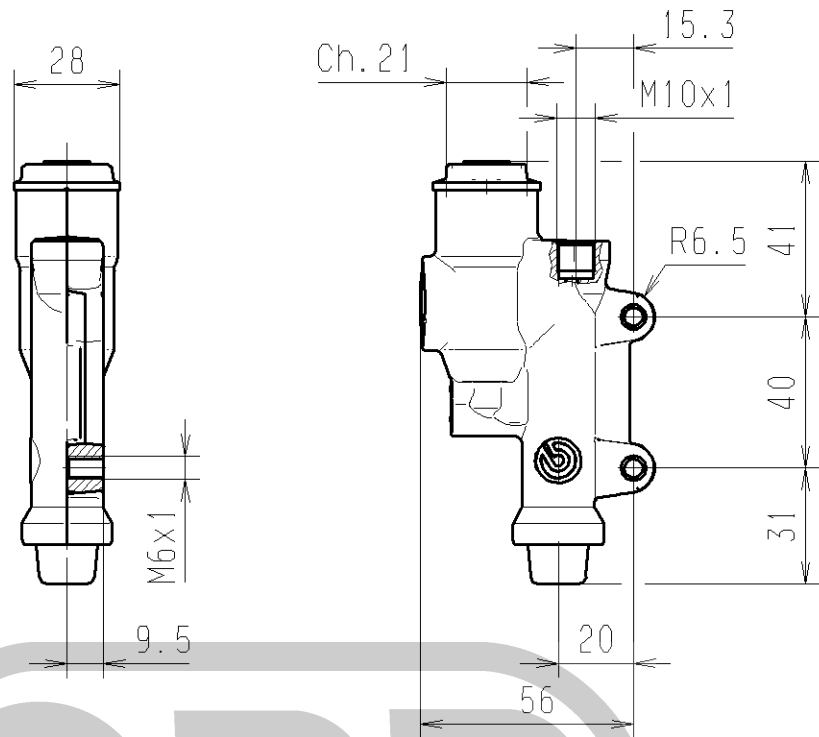




REAR INTEGRATED RESERVOIR MASTER CYLINDER

PS 13

10.8505.11



DESCRIPTION

Rear integrated reservoir master cylinder.
Operating fluid: brake fluid DOT 4.

Material: master cylinder body, cap: aluminium alloy
Color: master cylinder body, cap: natural color (anodic oxidation)

TECHNICAL CHARACTERISTICS

Piston diameter:	13.0 mm
Maximum piston stroke:	12.0 mm
Usable reservoir volume:	10.0 cm ³
Reservoir volume difference between MAX and MIN levels:	6.0 cm ³
Weight:	0.15 Kg

AVAILABLE SPARE PARTS

CODE	SPARE PARTS	
	SCREWCAP	PISTON
10.8505.11	110.2704.92	110.4623.27