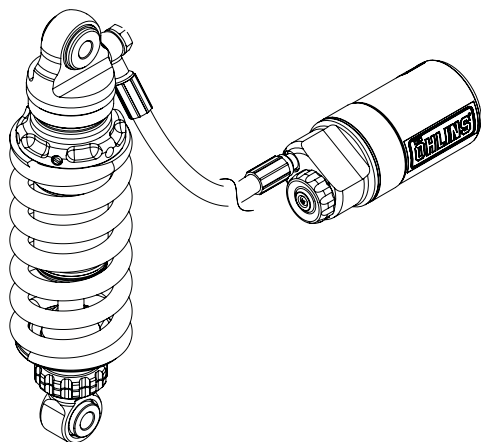


Note!

Before installing this product, check the contents of the kit. If anything is missing, please contact an Öhlins dealer



Kit Contents

Description	Part No	Pcs
Shock absorber	HO 047	1
Clamp bracket reservoir	03102-15	1
Bracket support	60006-31	1
Sleeve 7/11.9-5.8	61123-20	1
Cable tie	60231-01	1
Screw M6x12	05404-01	2
Screw M6x14	00382-16	1
Screw M6x45	01046-62	2
Washer 6.3/10/1.2	60426-04	2
Sticker set Öhlins	10207-01	1
Preload adj.tool	03199-03	1
Owner's manual	07241-02	1

Alternative component

Spring 140 N/mm	66514-140	1
-----------------	-----------	---

Note!

Please note that this image is a general representation of the product and may differ slightly from your product.

Note!

Please note that during storage and transportation, especially at high ambient temperature, some of the oil and grease used for assembling may leak and stain the packaging. This is in no way detrimental to the product, wipe off the excessive oil/grease with a cloth.

Warning!

Before installing this product, read the Öhlins Owner's Manual. The shock absorber is an important part of your vehicle and will affect the stability.

Shock Absorber for HONDA MSX/Grom125-2020

HO 047

Mounting Instructions



MOUNTING INSTRUCTIONS

Warning!

It is advisable to have an Öhlins dealer install the shock absorber.

Warning!

If working on a raised vehicle, ensure it is securely supported so that it will not tip over.

Note!

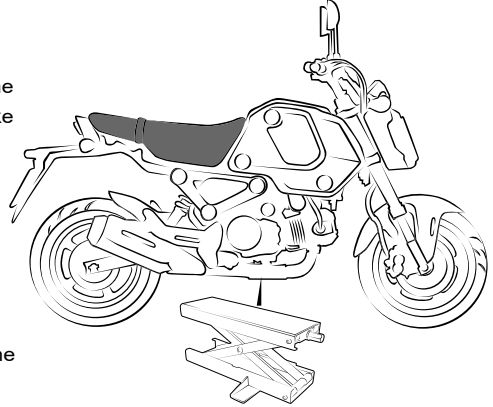
Before mounting this product clean the vehicle thoroughly.

Note!

When working on this product, always see the Vehicle Service Manual for vehicle specific procedures and important data.

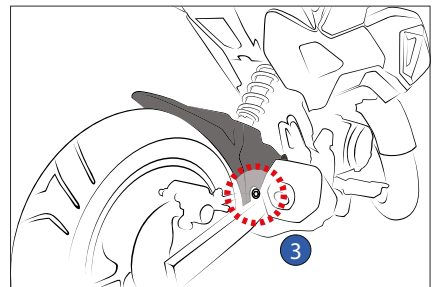
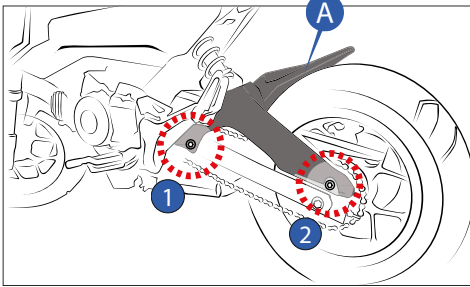
1

Put the motorcycle on a work stand so that the rear wheel barely touches the ground. Make sure the motorcycle is in a stable position.



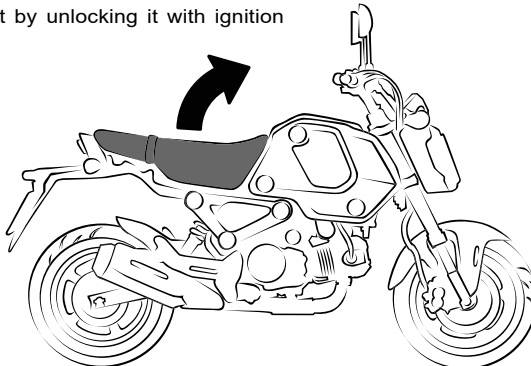
2

Loosening the screws ①②③ to remove the rear huggie **A**.



3

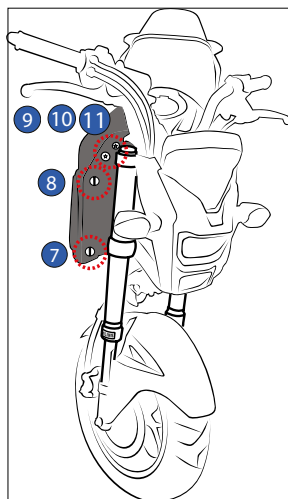
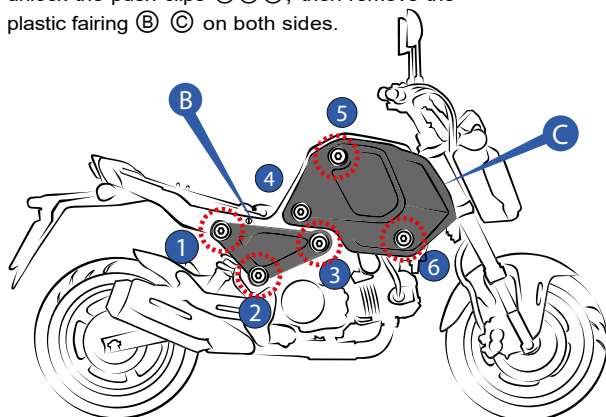
Remove the seat by unlocking it with ignition key.



MOUNTING INSTRUCTIONS

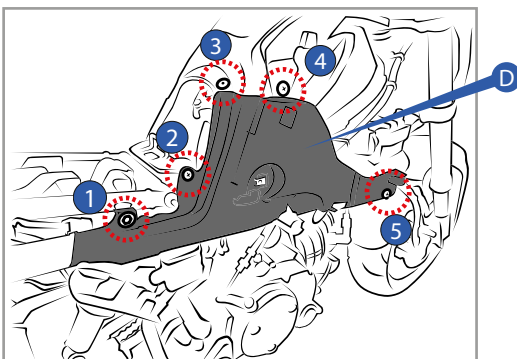
4.

Loosen the screws ①②③④⑤⑥⑦⑧ and unlock the push clips ⑨⑩⑪, then remove the plastic fairing ⑬ ⑭ on both sides.



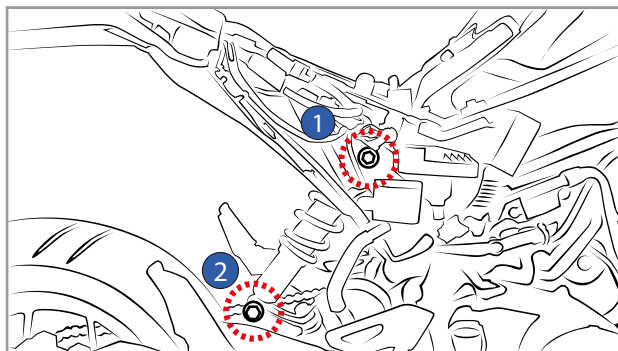
5.

Loosen the screws ①②③④⑤ to remove the plastic cover ⑬ on both sides.



6.

Remove the standard shock absorber by loosening the top and bottom mounting bolts ①②.



MOUNTING INSTRUCTIONS

6.

Install the Öhlins shock absorber with the hose pointing forward .

Tighten the mounting bolts at the torque value as specified in the vehicle service manual.

7.

Install the clamp bracket to the reservoir bracket by using the screws 05404-01 (2x).

8.

Slide the reservoir into the clamp bracket.

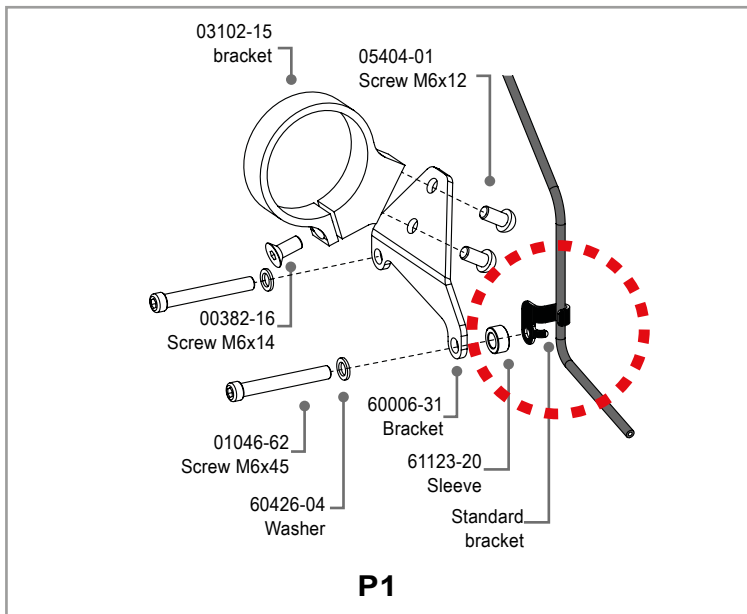
Do not tighten yet.

9.

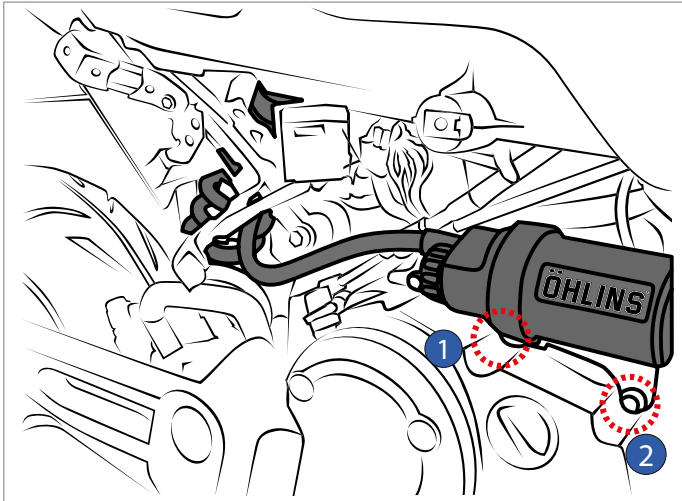
Install the bracket support to the crankcase by using the screws 01046-62 ,Washer 60426-04

(one for each screw) and then use sleeve 61123-20 to support bracket.

as per diagram P1



MOUNTING INSTRUCTIONS



10.

Place the reservoir in a position with the hose not touching any movable part of the motorcycle then tighten the clamp bracket ①②.

Note!

Use the cable tie (60231-01) to clamp the hose avoiding contact with any sharp motorcycle part.

Note!

Lower the vehicle so that the suspension is slightly compressed before tightening the screws.

Caution!

Ensure that all screws are tightened to the correct torque and that nothing fouls or restricts movement of the shock absorber when the suspension is fully compressed or extended.

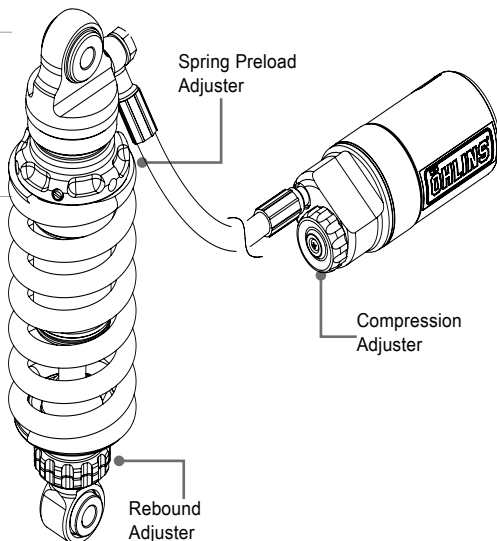
This page intentionally left blank

This page intentionally left blank

ADJUSTMENTS

⚠ Warning!

Before riding, always make sure that the basic settings made by Öhlins are according to recommended Set-up Data. Read about adjustments and setting up in the Öhlins Owner's Manual before you make any adjustments. Contact an Öhlins dealer if you have any questions about setting up.



SET-UP DATA

Recommended set-up

Spring Preload	10 mm
Rebound adjuster	8 Clicks
Compression adjuster.....	12 Clicks

Shock absorber data

Length	244 mm
Stroke	47 mm

Spring

Part No	66514-120	66514-140
Free spring length	140 mm	140 mm
Spring rate.....	120 N/mm	140 N/mm
Pre-load adjustment range	[3-16 mm]	[3-11 mm]

Rider's weight

	below 80 kg	above 80 kg
Part No	66514-120	66514-140
Free spring length	140 mm	140 mm
Spring rate.....	120 N/mm	140 N/mm
Pre-load adjustment range	[3-16 mm]	[3-11 mm]

👁 Note!

It is advisable to have an Öhlins dealer replace the spring.

👁 Öhlins products are subject to continuous improvement and development, therefore, although these instructions include the most up-to-date information available at the time of printing, minor updates may occur.

To find the latest information contact an Öhlins distributor. Please contact Öhlins if you have any questions regarding the contents in this document.

Part no. MI_HO047_EN_0
Issued 2021-01-29

© Öhlins Asia Co. Ltd. All rights reserved. Any reprinting or unauthorized use without the written permission of Öhlins Racing AB is prohibited.

Öhlins Asia Co. Ltd
700/937 Moo5, Tambol Nongkhaga,
Amphur Phantong, Chonburi Province
20160 Thailand



www.ohlins.com