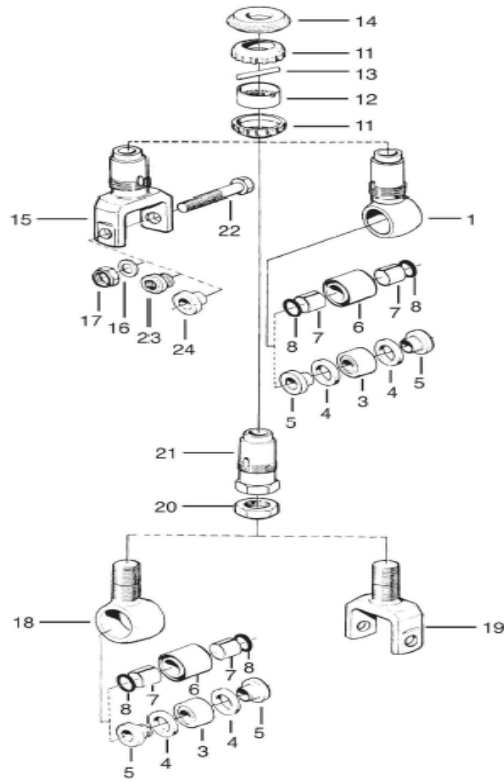
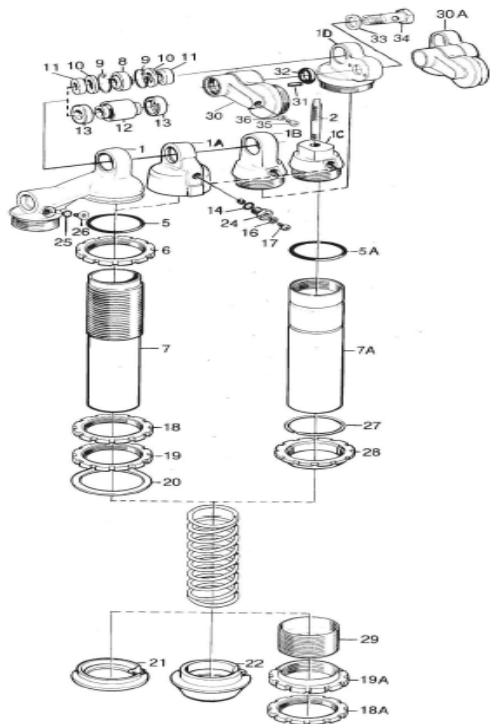


Fig. 01



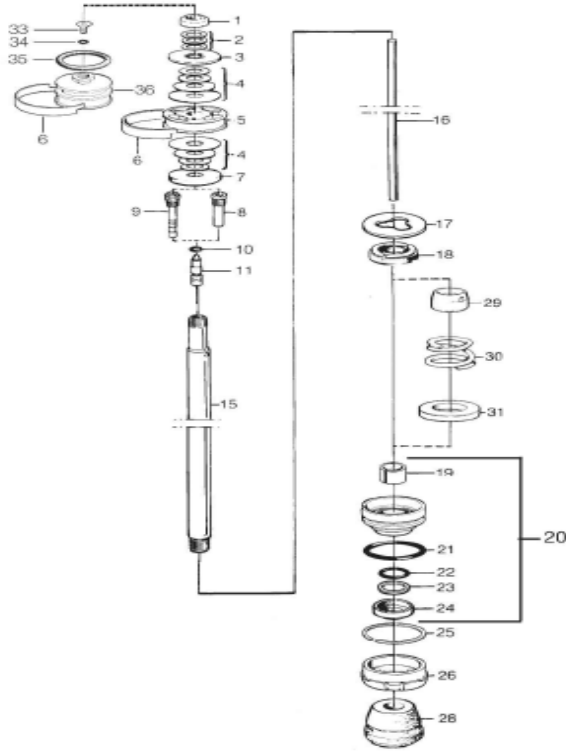
			46DR1S	46DR1S	46DR1S
		BMW R 1150 GS	BM 4363	BM 508	BM 536
Fig No.	Part No	Description	Qty		
01-01	01054-07	End eye	1	1	1
01-03	00536-12	Balljoint	1	1	1
01-04	00534-01	Seal	2	2	2
01-05	01218-18	Spacer	2	2	2
01-11	01016-01	Seal rebound adjuster	2	2	2
01-12	01128-01	Adjustment knob	1	1	1
01-13	01030-01	Pin	1	1	1
01-14	01017-01	Stop washer	1	1	1

Fig.02



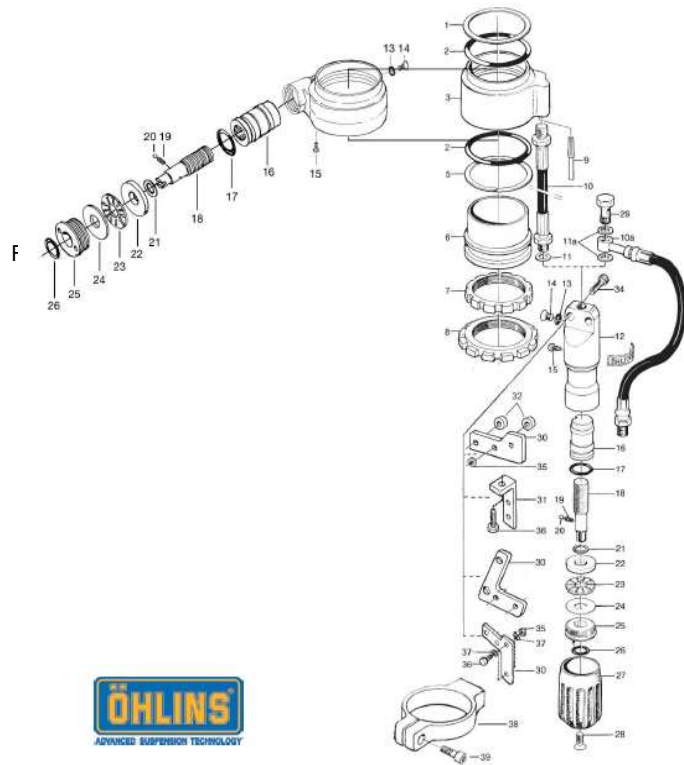
			46DR1S	46DR1S	46DR1S
		BMW R 1150 GS	BM 4363	BM 508	BM 536
Fig No.	Part No	Description	Qty		
Body tube					
02-01B	01282-03	Cylinder head	1	1	1
02-05A	00338-32	O-ring	1	1	1
02-07A	04211-14	Cylinder tube	1	1	1
02-08	00536-12	Ball joint	1	1	1
02-10	00534-01	Seal	2	2	2
02-11	01218-39	Spacer	2	2	2
02-14	00338-07	O-ring	1	1	1
02-16	00338-59	O-ring	1	1	1
02-17	01050-01	Screw	1	1	1
02-20	00543-01	Washer	1	1	1
02-22	00629-01	Spring clip	1	1	1
02-24	00603-03	Valve assy	1	1	1
	00698-54	Spring	1	1	
	00698-64	Spring			1
	00196-01	Sticker Varning	1	1	1
	00191-06	Sticker Ohlins	1	1	1

Fig. 03



			46DR1S	46DR1S	46DR1S
			BM 4363	BM 508	BM 536
			BMW R 1150 GS		
Fig No.	Part No	Description	Qty		
Shaft					
03-01	00539-01	Lock nut	1	1	1
03-02	00578-01	Washer	5	5	5
03-03	00519-07	Stop washer	1	1	1
03-05	01114-14	Piston	1	1	1
03-06	00541-01	Piston ring	2	2	2
03-07	00519-08	Stop washer top out	1	1	1
03-08	05621-04	Valve	1	1	1
03-10	00338-14	O-ring	1	1	1
03-11	05655-04	Adjustment needle	1	1	1
03-15	05500-09	Shaft	1	1	1
03-16	00566-23	Adj.shaft	1	1	1
03-17	01069-02	Spacer		1	
03-17	01069-03	Spacer	2	4	2
03-18	05115-01	Stop rubber	1	1	1
03-19	01056-13	Bushing	1	1	1
03-20	05129-04	Seal head assy	1	1	1
03-21	00576-01	O-ring	1	1	1
03-22	01027-01	X-ring	1	1	1
03-23	01032-01	Back-up ring	1	1	1
03-24	01031-02	Scraper	1	1	1
03-25	00575-01	Circlip	1	1	1
03-26	01065-02	End cap	1	1	1
03-28	00563-03	Bump rubber	1	1	1
03-29	01132-02	Spring guide	1	1	1
03-30	01131-02	Spring	1	1	1
03-31	01269-02	Spacer	1	1	1
03-33	00382-01	Screw	1	1	1
03-34	00338-01	O-ring	1	1	1
03-35	00338-13	O-ring	1	1	1
03-36	01005-01	Piston diam	1	1	1

Fig.06



			46DR1S	46DR1S	46DR1S
			BM 4363	BM 508	BM 536
			BMW R 1150 GS		
Fig No.	Part No	Description	Qty		
Preload adj.					
06-01	03611-01	Support ring	1	1	1
06-02	00338-90	O-ring	2	2	2
06-03	03607-01	Preload housing	1	1	1
06-05	03610-01	Support ring	1	1	1
06-06	03606-01	Inner sleeve	1	1	1
06-07	03609-01	Lock nut	1	1	1
06-08	03608-01	Guide nut	1	1	1
06-09	03613-01	Pin	1	1	1
06-10	01042-02	Hose	1	1	1
06-11a	01048-01	Seal washer	2	2	2
06-12	03600-02	Adj.cylinder	1	1	1
06-13	00338-79	O-ring	1	1	1
06-14	00382-07	Screw	1	1	1
06-15	03601-02	Guide screw	1	1	1
	03614-01	Seal washer for guide screw	1	1	1
06-16	03604-02	Piston	1	1	1
06-17	00338-71	O-ring	1	1	1
06-18	03602-02	Adj. screw	1	1	1
06-19	03083-01	Spring	1	1	1
06-20	00884-03	Ball	1	1	1
06-21	00131-03	Circlip	1	1	1
06-22	03072-02	Thrust washer thick	1	1	1
06-23	01023-02	Thrust needle bearing	1	1	1
06-24	03073-02	Thrust washer thin	1	1	1
06-25	03603-01	Cover	1	1	1
06-26	00338-88	O-ring	1	1	1
06-27	03605-01	Adjustment wheel preload.clear	1	1	1
06-28	00382-08	Screw	1	1	1
06-29	00831-02	Banjo bolt	1	1	1
06-30	21701-01	Bracket	1	1	1
	02267-05	Bracket hyd.pld.outer	1	1	1
	02267-06	Bracket hyd.pld.inner	1	1	1
	01046-01	Screw M6x16	2	2	2
	00430-02	Nut	2	2	2
	05404-07	Screw M6x30	2	2	2
	01046-22	Screw M8x16	1	1	1
	00153-01	Washer 8x16	2	2	2
	00153-04	Washer 6x12	2	2	2