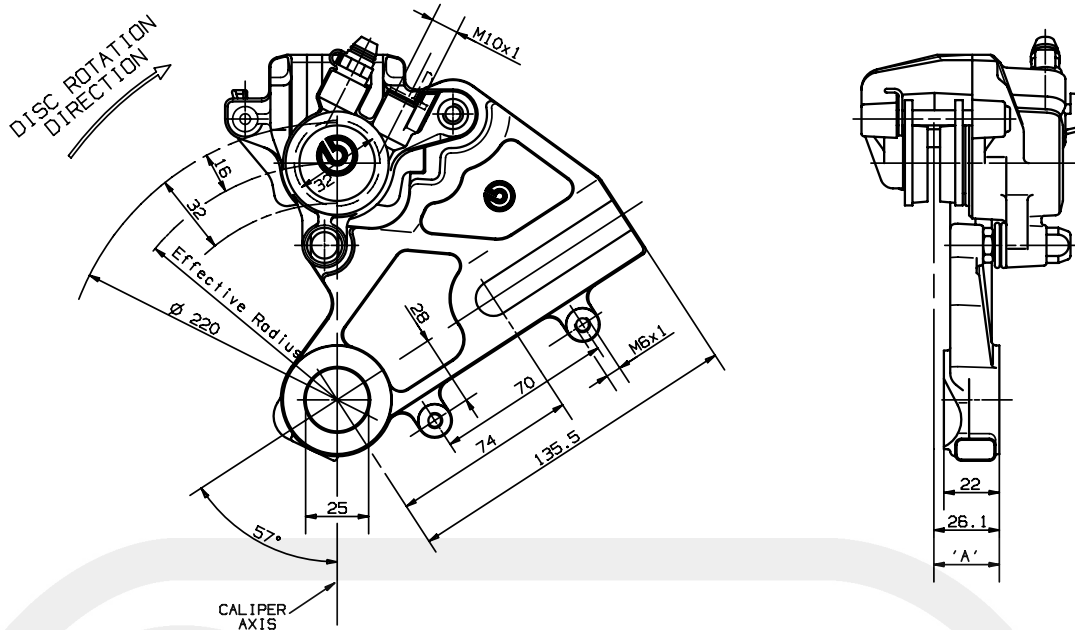




FLOATING CALIPER

PF 32 C

22.5549.12
22

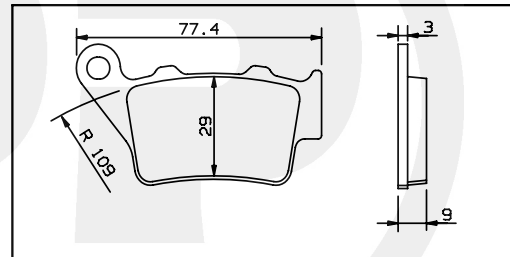


DESCRIPTION

Floating caliper with 1 piston.
Caliper's body slides on one bracket.
Pads are supported by one pin and one bracket.
Construction Material: Aluminium Alloy.
Operating fluid: brake fluid DOT3/DOT4.

N.B.: drawing shows caliper Code 22.5549.22
Caliper Code 22.5549.12 specular.

PADS SHAPE AND DIMENSIONS



TECHNICAL CHARACTERISTICS

Pistons number and diameter:	1 32mm	Average pad surface (1 pad):	14.75 cm ²
MAX working pressure:	70bar	Weight (with not sintered pads):	0.950 Kg
A) Disc position (TOLERANCE):	±0.7 mm		
Usable disc diameter:	220 mm		

CONFIGURATION

CHARACT. CODE CALIPER	PADS FRICTION MATERIAL	BODY COLOR	BRACKET COLOR	MOUNT. SIDE	USABLE DISCS THICKNESS	BRAKE FLUID FOR PADS WEAR
22.5549.12 22	FRENO 222	NATURAL	NATURAL	SX DX	4.0 mm	10.1 cm ³

AVAILABLE SPARE PARTS

SPARE PARTS CODE CALIPER	PADS	BLEEDER SCREW	DUST COVER	BOOTS	PIN/RETAINER	SPRING/STEEL CLIP	PISTON	SEALS
22.5549.12 22	107.5552.12	105.3387.64	105.1502.20	122.4746.14	122.5089.37 122.5089.38	120.4683.25	120.5779.27	120.3203.32

Indicating informations subject to modification.
For further specifications contact Technical Section.

LAST UPDATE: 09/07/2001