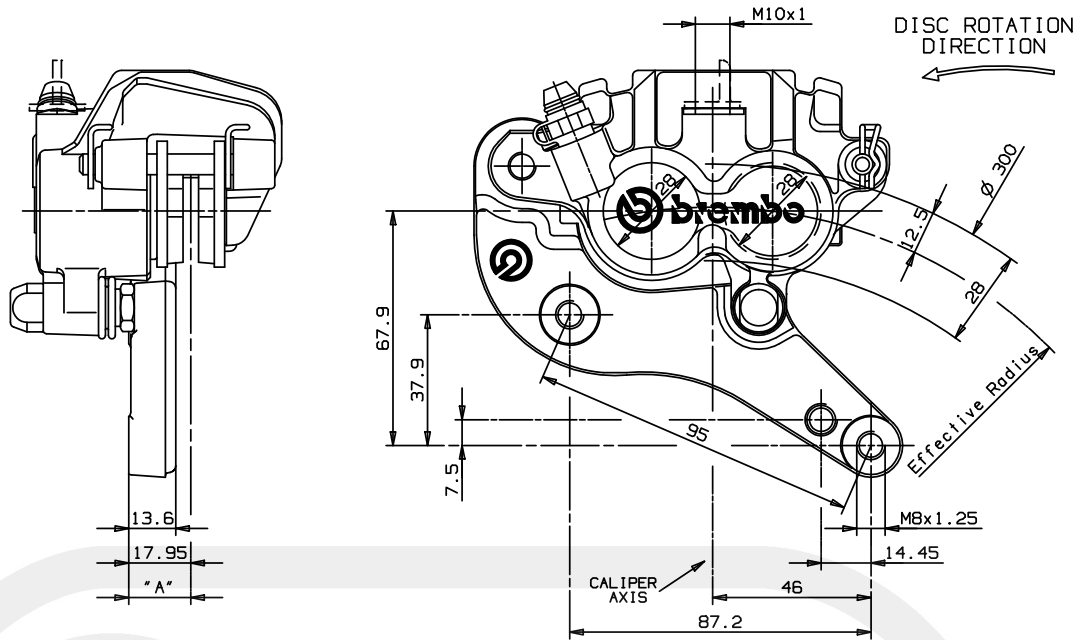




FLOATING CALIPER

PF 2x28 D

22.5930.64

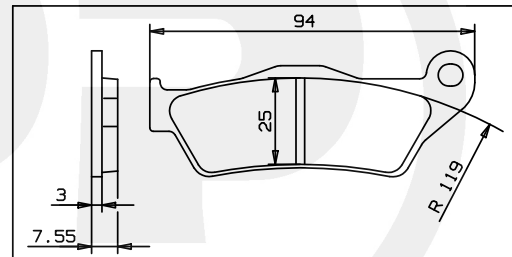


DESCRIPTION

Floating caliper with 2 pistons.
Caliper's body slides on one bracket.
Pads are supported by one pin and one bracket.
Construction Material: Aluminium Alloy.
Operating fluid: brake fluid DOT4.

N.B.: drawing shows left side caliper.
Mounting side behind the fork.

PADS SHAPE AND DIMENSIONS



TECHNICAL CHARACTERISTICS

Pistons number and diameter:	2 28 mm	Average pad surface (1 pad):	16.1 cm ²
MAX working pressure:	70 bar	Weight (with sintered pads):	0.795 kg
A) Disc position (TOLERANCE):	±0.4 mm		
Usable disc diameter:	300 mm		

CONFIGURATION

COD. PINZA / CARATT.	PADS FRICTION MATERIAL	BODY COLOR	BRACKET COLOR	MOUNT. SIDE	USABLE DISCS THICKNESS	BRAKE FLUID FOR PADS WEAR
22.5930.64	TEXAR T4069 GF	NATURAL	NATURAL	SX	3.5 mm	11.6 cm ³

AVAILABLE SPARE PARTS

COD. PINZA / RICAMBI	PADS	PIN/RETAINER	BLEEDER SCREW	DUST COVER	SPRING/STEEL CLIP	BOOTS
22.5930.64	107.5269.14	122.5089.21	105.3387.60	105.1502.20	120.4683.20	122.4746.14

Indicating informations subject to modification.
For further specifications contact Technical Section.

LAST UPDATE: 05/07/1999