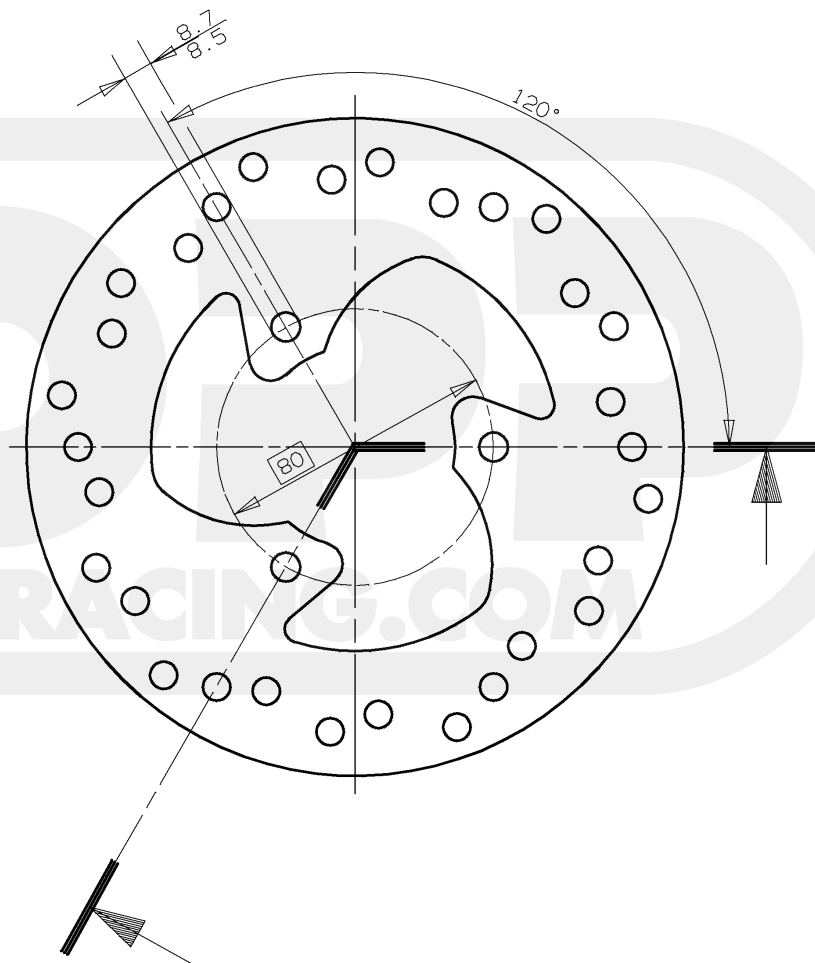
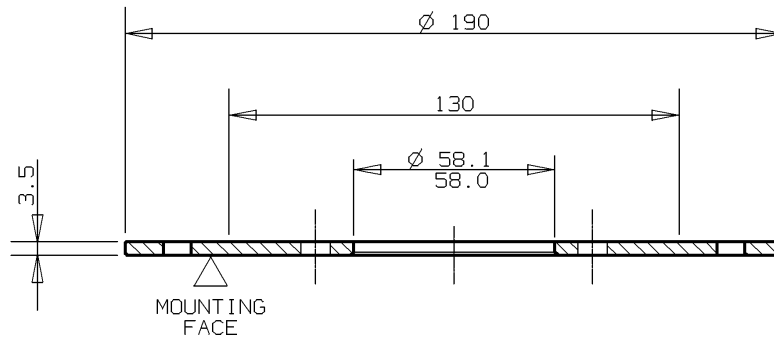




BRAKE DISC

DP 190
08.4899.30 C



NOTE: minimum thickness value engraved on disc.

CHARACTERISTIC

MOUNTING BELL MATERIAL	MOUNTING BELL FINISHING	BRAKING SURFACE MATERIAL	BRAKING SURFACE FINISHING	MINIMUM THICKNESS	WEIGHT
Steel	Natural Steel	Steel	Natural Steel	3.2 mm	0,5 Kg

Indicating informations subject to modification.
 For further specifications contact Technical Section.

LAST UPDATE : 12/01/1995