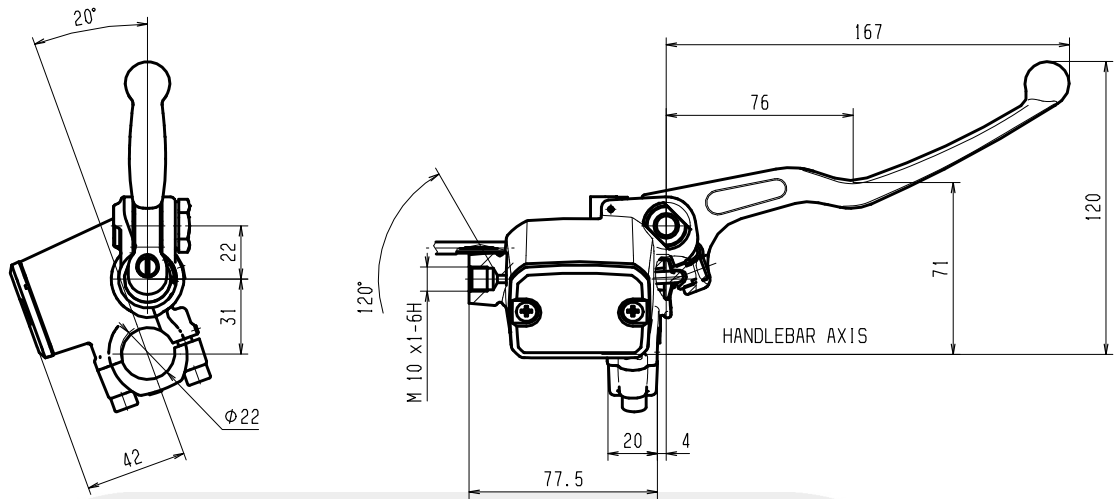




# FRONT MASTER CYLINDER

PS 16/22  
 10.9720.93



## DESCRIPTION

Front master cylinder with integrated reservoir.  
 Wired microswitch.  
 Operating fluid: brake fluid DOT3 - DOT4.

Master cylinder BODY color:  
 Black Anodic Oxidation  
 Master cylinder LEVER color:  
 Black Painting

## TECHNICAL CHARACTERISTICS

Piston diameter: 16 mm  
 Weight: 0.400 kg  
 Reservoir usable volume: 40.0 cm<sup>3</sup>  
 Reservoir volume difference from MAX and MIN level: 26.0 cm<sup>3</sup>

## AVAILABLE SPARE PARTS

SPARE PARTS CODE	LEVER	CLAMP	CAP	LEVER PIN	MICROSWITCH
10.9720.93	110.2706.53	110.4372.12	110.2704.43	110.2798.50	110.4418.26

Indicating informations subject to modification.  
 For further specifications contact Technical Section.

LAST UPDATE: 18/03/05